

# AUDIBLE ALARMS



## 1000 and 1100 Power Alarm® Siren

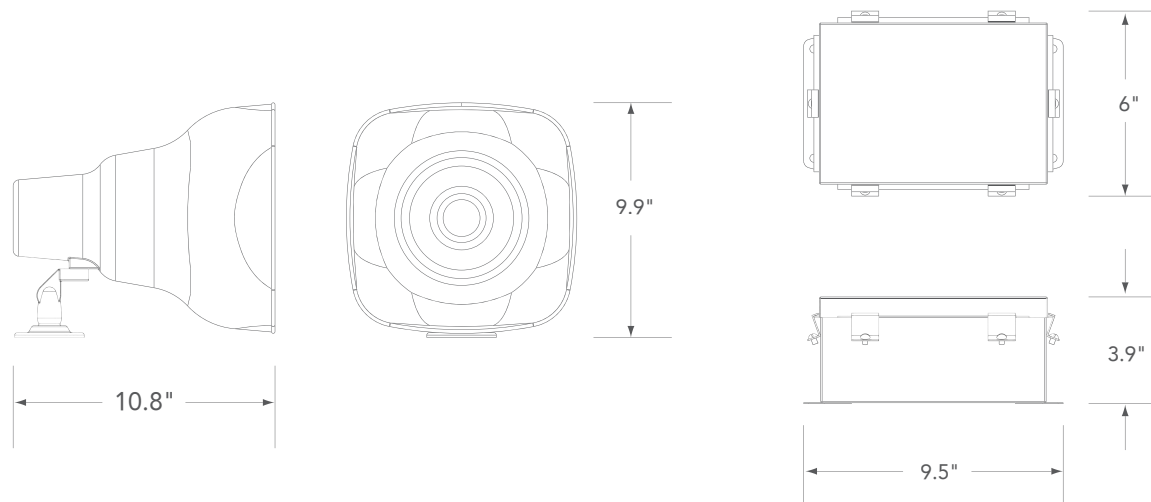
- weatherproof construction
- low power consumption
- choice of 8 sounds
- battery back-up option
- NEMA 4X / 3R

TOMAR's POWER ALARM® SIREN is a heavy duty industrial audible alarm designed to operate under adverse industrial conditions such as shock, vibration, or transient voltage surges. The models 1000 and 1100 Power Alarms feature a choice of field selectable tones plus remote selection of 4 tones with priority.

### Ordering Information

Model No.	Description	Voltage
1000-120	Power alarm less speaker	120/240VAC
1100-250	Power alarm less speaker	250VDC
1100-1224	Power alarm less speaker	12-24 VDC

# 1000 & 1100



## Specifications

Item	Description
Sound Output	S7 SPL @ 10 feet = 112dB
Circuitry Enclosure	NEMA 4 weatherproof enclosure
Speaker/Driver	100% weatherproof, all metal
Ambient Temperature Range	-55° C to +85° C -67° F to +185° F
Power Requirements	Model 1000-120 120/240VAC 0.5/0.25A Model 1100-250 250VDC 0.25A Model 1100-1224 12/24 VDC 0.35/0.7A
Sounds	S1 Continuously running train of 8 sounds in sequence S2 Wail - conventional siren S3 Yelp - rapid siren S4 Two - tone S5 Whoop - ascending low-high S6 Yeow - descending high-low S7 Horn - steady S8 Beep - slow intermittent horn S9 Stutter - rapid intermittent horn S0 REMOTE - enables remote selection of: S7 Horn - steady ( priority 1 ) ( highest priority ) S4 Two Tone - alternating ( priority 2 ) S3 Yelp - rapid siren ( priority 3 ) S1 Wail - manual siren ( priority 4 )

## Available Options

NOTE: All "/" options must be ordered at time of purchase.

Model No.	Description
MULTISOUND	Sound module with 8 sounds
1001	Speaker only
RJ45-6	6 foot remote cable to control dual sounds
/1000BBU	12 or 24VDC backup battery input option
/1001	Speaker
/SSA	NEMA 4X stainless steel enclosure option

# EXPLOSION PROOF AUDIBLE ALARM



- Class I, Division 1, Groups C & D
- Class I, Division 2, Groups A, B, C, & D
- Class II, Division 2, Groups F & G
- weatherproof construction
- 8 selectable tones
- UL listed
- NEMA 4X
- Marine rated

## 1002WEP

### Explosion Proof Power Alarm® Siren

TOMAR's model 1002WEP EXPLOSION PROOF POWER ALARM® siren is a rain tight solid state audible alarm, that features a choice of 8 field selectable tones plus remote selection of 4 tones with priority. All models of 1002WEP alarms are o-ring gasketed and are UL listed for Class I, Division 1, Group C & D, Class I, Division 2, Groups A, B, C, & D, Class II, Division 2, Groups F & G, NEMA Type 4X, and marine outside (salt water) use.

#### Tones

Selectable by switch on sound module

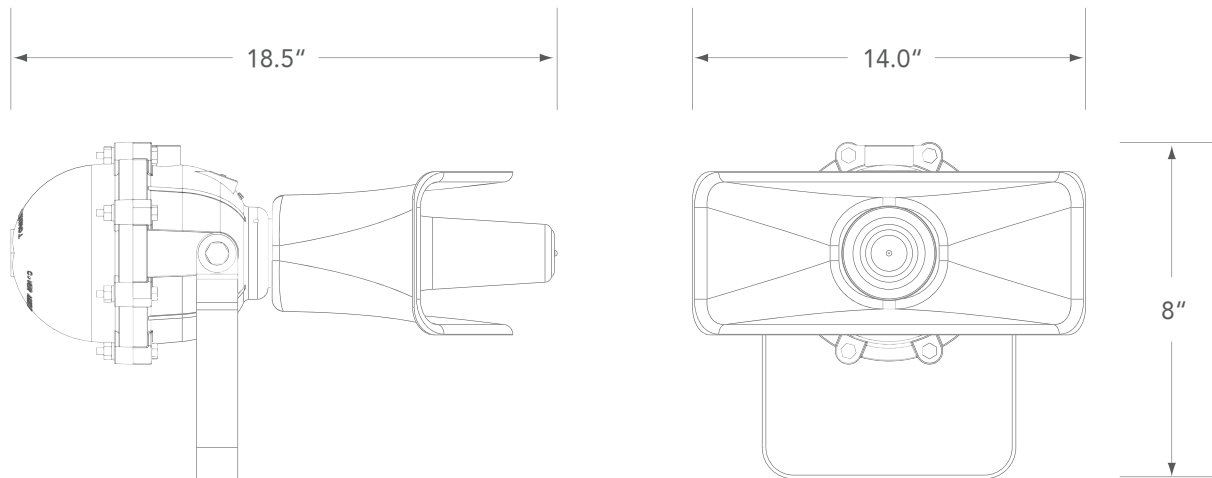
- S1 Continuously running train of 8 sounds in sequence
- S2 Wail - conventional siren
- S3 Yelp - rapid siren
- S4 Two - tone
- S5 Whoop - ascending low-high
- S6 Yeow - descending high-low
- S7 Horn - steady
- S8 Beep - slow intermittent horn

- S9 Stutter - rapid intermittent horn
- S0 REMOTE - enables remote selection of:
  - S7 Horn - steady ( priority 1\* )
  - S4 Two Tone - alternating ( priority 2 )
  - S3 Yelp - rapid siren ( priority 3 )
  - S1 Wail - manual siren ( priority 4 )

\* priority 1 is the highest

#### Ordering Information

Model No.	Description	Voltage
1002WEP-24	Explosion proof power alarm	24VDC
1002WEP-120	Explosion proof power alarm	120VAC
1002WEP-240	Explosion proof power alarm	240VAC



## Specifications

Item	Description
Volume	57–110dbA @ 10 feet
Voltage and Amperage	24VDC draws 0.8A 50/60 Hz or DC 120VAC draws 0.2A 50/60 Hz 240VAC draws 0.1A 50/60 Hz
Enclosure Construction	Weatherproof construction, fiberglass horn, cast aluminum housing
Mounting	Omni directional mounting bracket, 1/2" conduit access
Ambient Temperature Range	–55° C to +85° C –67° F to +185° F
Size and Weight	14" wide x 8" high x 18.5" long (356mm x 152mm x 445mm)
Weight	19.5 lbs (8.9kg)

## Available Options

Model No.	Description
1001–WEP	60 watt speaker only, less sound module
RJ45–6	Remote control cable and plug

## Architect and Engineer Specifications

Explosion proof siren shall be Tomar model 1002 WEP or approved equal. The loudspeaker shall be UL Listed Class I, Division 1 and 2, Class II Division 2, and Class III for use in specified hazardous locations and/or combustible atmospheres as classified by the National Electric Code. The explosion proof siren shall have 8 integrated field selectable sounds plus remote control selection of 4 sounds with priority. Speaker housing must have O-ring gasket and be NEMA 4X and marine (salt water) rated. Projector horn shall be a reflex type with polycarbonate re-entrant section. Voice coils shall be field-replaceable, and the operating temperature rating is to be -55C to 85C; -67F to 185F.