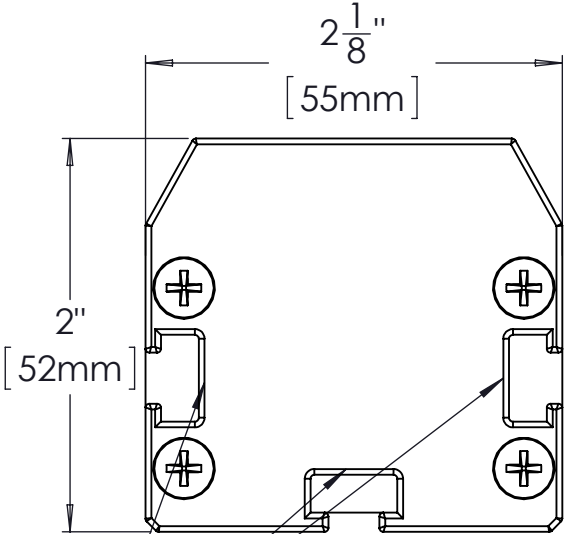
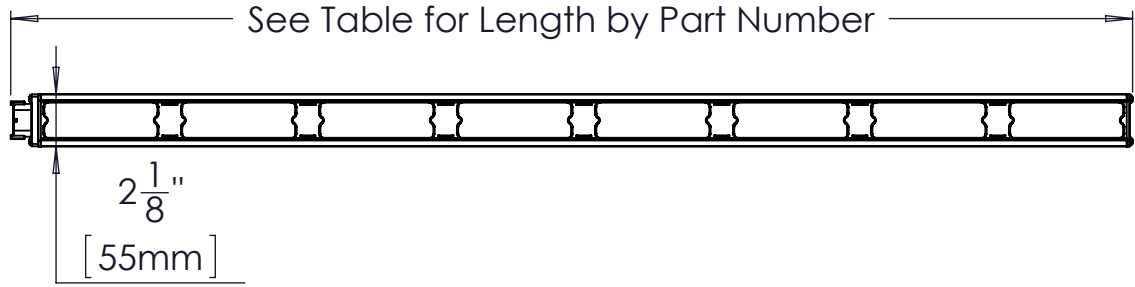


REVISIONS			
REV.	DESCRIPTION	DATE	NAME
A	ORIGINAL DRAWING REQUEST	11.13.2018	SS



T-Slots for 1/4"-20
Hex Head Bolts

Part Number	Length	No. of Modules
57924	23.625"	4
57936	35.125"	6
57948	46.625"	8
57960	58.125"	10
57972	69.625"	12

DWN	SS	11.13.2018
CHKD	XX	MM.DD.YYYY
PROD	XX	MM.DD.YYYY

SWS - WARNING LIGHTS INC.

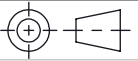
PROPRIETARY AND CONFIDENTIAL
THE INFORMATION CONTAINED IN THIS DRAWING IS THE SOLE PROPERTY OF SWS WARNING LIGHTS INC. ANY REPRODUCTION IN PART OR AS A WHOLE WITHOUT THE WRITTEN PERMISSION OF SWS IS STRICTLY PROHIBITED.

DIMENSIONS ARE IN INCHES.
UNLESS OTHERWISE NOTED TOLERANCES ARE:

FRACTIONAL ±1/32
X ±.031
X.X ±.020
X.XX ±.010
X.XXX ±.005
ANG MACH ±1°
ANG BEND ±2°

DRAWING NO FNA-573P	REVISION A	TITLE 579xx Titan Fleet Warning Stick
MRP RAW PART NO XXXXXX	SCALE 1:8	MATERIAL Extruded 6063 Aluminum Housing, Polycarbonate Modules, Deutsch Connectors
MRP FINISHED PART NO 573xx	SIZE A	FINISH XXXXXX

REFERENCED DRAWING
DO NOT MANUALLY UPDATE
DO NOT SCALE



FILE LOCATION
U:\FNA\Finished Product Dimensional Drawings\Warning Sticks\579xx\FNA-579P_A