



**RIGID FLOORS
RUBBER MATS
INTERIOR LINERS**

INTERIOR PROTECTION FOR CARGO VEHICLES

LEGEND FLEET SOLUTIONS

Product Guide 2019

LEGEND **FLEET SOLUTIONS**

Product Guide 2019

PROTECT YOUR CARGO VANS

RIGID FLOORS
RUBBER MATS
INTERIOR LINERS



The commercial cargo van is the life-blood of thousands of companies across the world. They make your deliveries, bring you your online purchases, service utilities, fix your internet - the list goes on. Mobile workers are working hard everyday. But could they be saving even more time? Could fleets be saving even more money? Legend Fleet Solutions enables the mobile workforce to do their job even better by maximizing the safety and protection of the interior of cargo vans and their operators.

TABLE OF CONTENTS

Product Benefits.....	3
Cargo Van Options.....	7
Ford Measurements.....	9
Ford Complete Kit.....	13
RAM Measurements.....	15
RAM Complete Kit.....	19
Mercedes Measurements.....	21
Mercedes Complete Kit.....	25
Nissan Measurements.....	27
Nissan Complete Kit.....	29
GMC Measurements.....	31
GMC Complete Kit.....	33
Complete Kit Configurator.....	35
StabiliGrip Rigid Floor.....	37
UltraGrip Rigid Floor.....	41
UltraFloor Rigid Floor.....	44
KK-Plus Rigid Floor.....	49
AutoMat-Bar Rubber Mat.....	53
ArmorMat Rubber Mat.....	57
DuraTherm Wall Liner.....	61
DuraTherm Ceiling Liner.....	67
DuraTherm Door Liner.....	73
Aluminium Side & Rear Sills.....	77
Black and Yellow Steel Thresholds.....	81
Fleet Information.....	83

WHERE DURABILITY AND SAFETY MATTER MOST

- **Cost-effective**
Higher quality products at extremely competitive prices
- **Sound-deadening**
Dampens rattling in cargo area and reduces road noise entering the vehicle
- **Puncture-resistance**
Protects vehicles from costly dents and damage
- **Safety**
Non-slip, ergonomic working conditions for employees
- **Efficiency**
Enables ease of loading and improves operating conditions for technicians
- **Increased re-sale**
Enhanced vehicle condition at end of vehicle life cycle
- **Load management**
Reduces hazards from shifting cargo



A photograph of a winding asphalt road with yellow double lines, surrounded by dense evergreen trees. The scene is shrouded in a thick, white fog, creating a sense of depth and mystery. The road curves through the forest, disappearing into the mist.

EXTENSIVE DEALER NETWORK

With an extensive and growing certified dealer network throughout North America, Legend products are easily accessible. Legend Fleet has warehouses in California and Texas as well as its headquarters, in Ontario, Canada. We offer flexible dealer opportunities to accommodate fleet customers wherever they are planning their fleet vehicle upfits. See more fleet information on page 86.

CARGO VAN OPTIONS



Transit Connect (105") SWB
Transit Connect (121") LWB
Transit 130" WB
Transit 148" WB
Transit 148" Extended WB



Promaster 118" WB
Promaster 136" WB
Promaster 159" WB
Promaster 159" Extended WB
Promaster City (122" WB)
C/V Tradesman (119" WB)



Mercedes-Benz

Mercedes Metris (126") RWB
Mercedes Metris (135") Extended WB
Sprinter 144" WB
Sprinter 170" WB
Sprinter 170" Extended WB



NV 200 (115" WB)
NV Cargo (140" WB)



Chevy City Express (115" WB)
GMC Savana/Chevy Express Regular (135") WB
GMC Savana/Chevy Express Extended (155") WB

LIFETIME WARRANTY



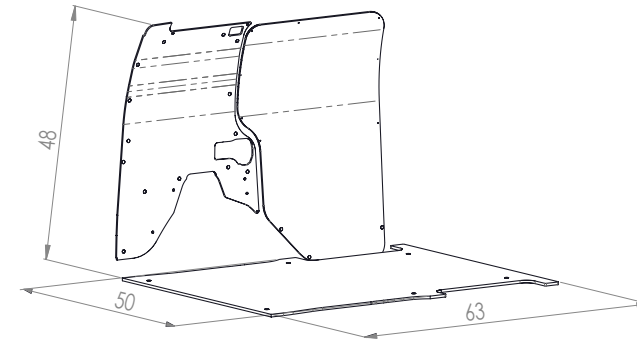
FORD MEASUREMENTS



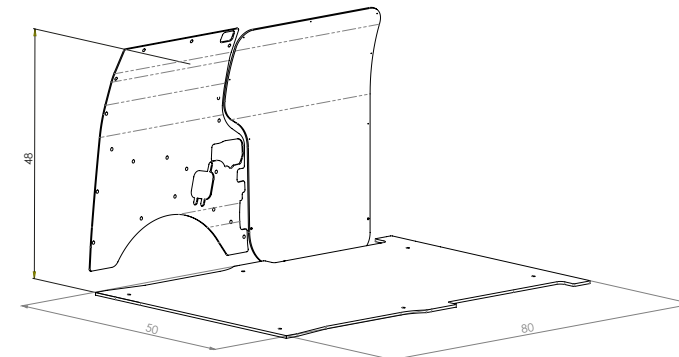
- Transit Connect SWB
- Transit Connect LWB
- Transit 130" WB LR
- Transit 130" WB MR
- Transit 148" WB LR
- Transit 148" WB MR
- Transit 148" WB HR
- Transit 148" EWB HR



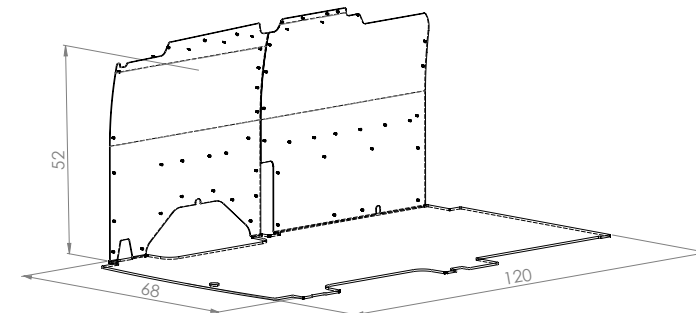
FORD TRANSIT CONNECT SWB



FORD TRANSIT CONNECT LWB

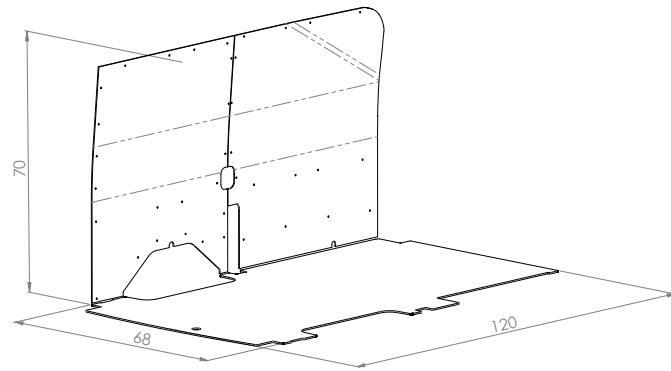


FORD TRANSIT 130 LR

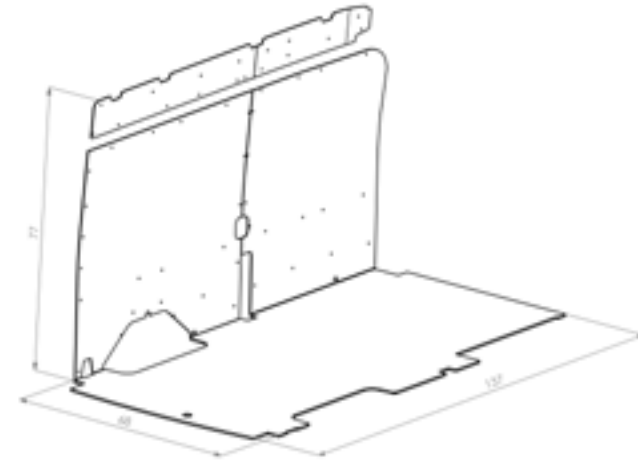


FORD MEASUREMENTS

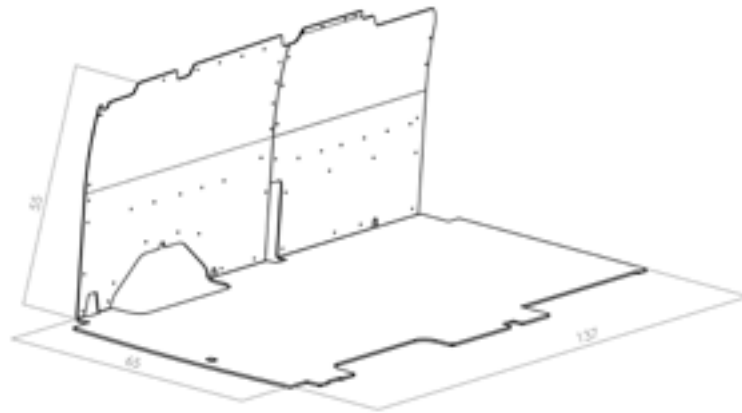
FORD TRANSIT 130 MR



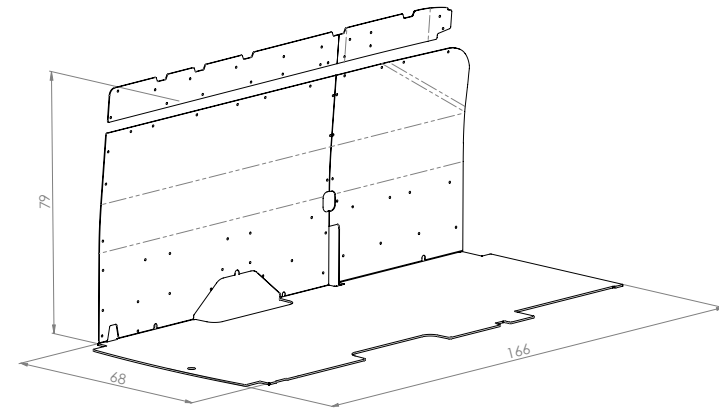
FORD TRANSIT 148 HR



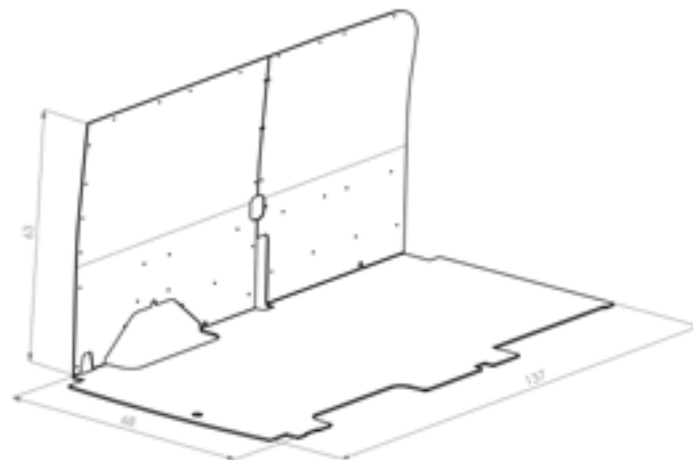
FORD TRANSIT 148 LR



FORD TRANSIT 148 EXT HR



FORD TRANSIT 148 MR



FORD COMPLETE KIT

- DURATHERM WALL LINERS**
- DURATHERM DOOR LINERS**
- DURATHERM CEILING LINERS**
- ALUMINIUM TOP SILLS**
- ALUMINIUM SIDE DOOR SILLS**
- ALUMINIUM SIDE REAR SILLS**
- RIGID FLOOR OR RUBBER MAT**

FOR COMPLETE KIT PART NUMBERS, REFER TO THE COMPLETE KIT CONFIGURATOR ON PAGE 39

FREE FREIGHT FOR ALL COMPLETE KITS



RAM MEASUREMENTS

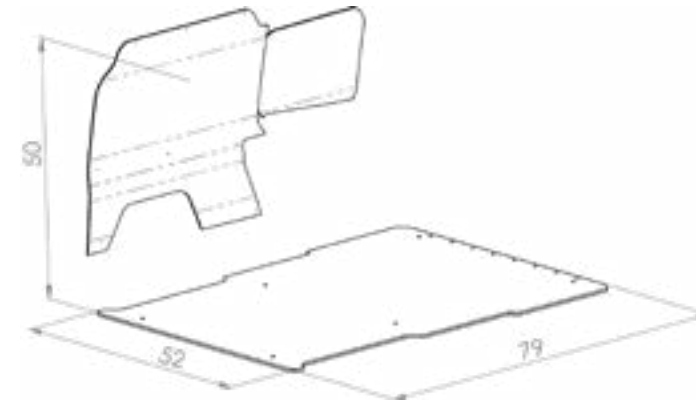


PROMASTER CITY
PROMASTER 118 WB LR
PROMASTER 136 WB LR
PROMASTER 136 WB HR
PROMASTER 159 WB HR
PROMASTER 159 EXT WB HR

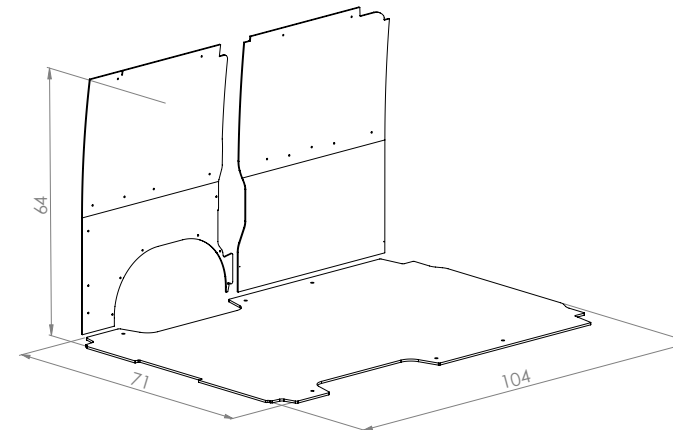


PROMASTER CITY

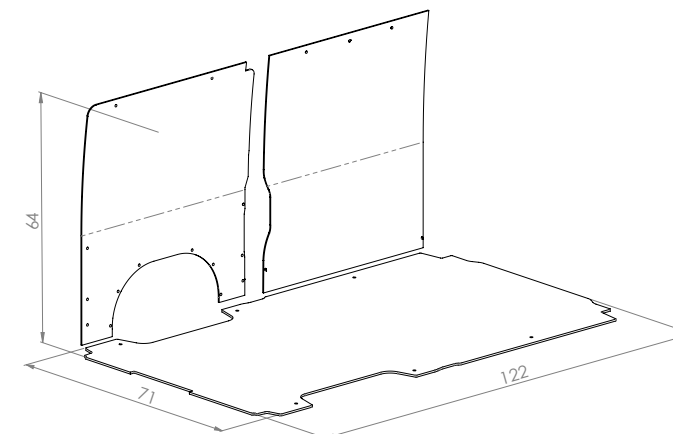
Please specify US or Canada version for all ProMaster City vehicles as these do vary.



PROMASTER 118 WB LR

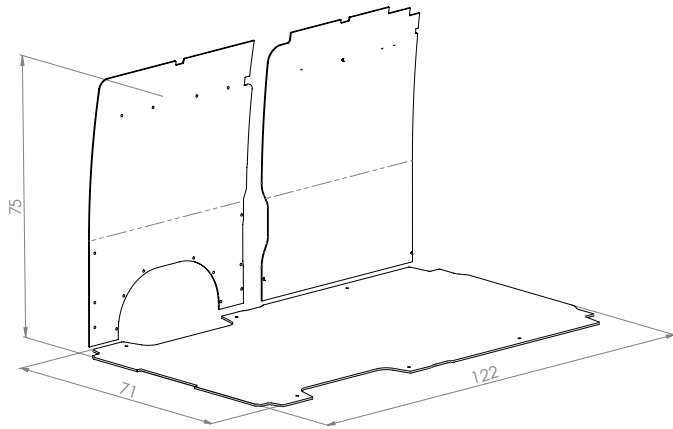


PROMASTER 136 WB LR

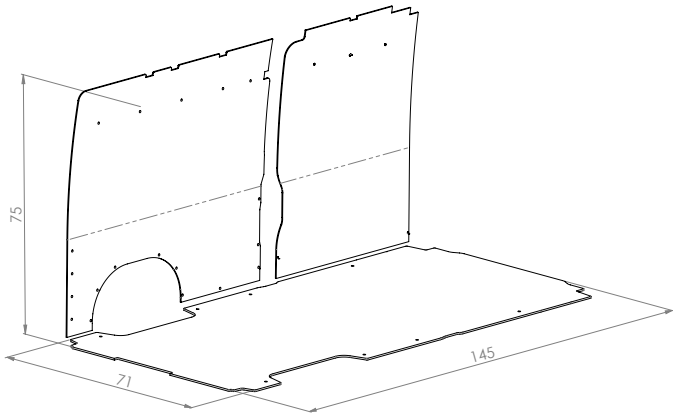


RAM MEASUREMENTS

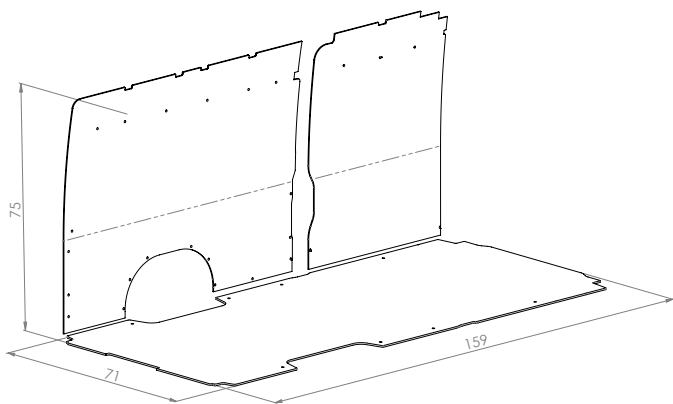
PROMASTER 136 WB HR



PROMASTER 159 WB HR



PROMASTER 159 EXT WB HR



RAM COMPLETE KIT

DURATHERM WALL LINERS
DURATHERM DOOR LINERS
DURATHERM CEILING LINERS
ALUMINIUM TOP SILLS
ALUMINIUM SIDE DOOR SILLS
ALUMINIUM SIDE REAR SILLS
RIGID FLOOR OR RUBBER MAT

FOR COMPLETE KIT PART NUMBERS, REFER TO THE
COMPLETE KIT CONFIGURATOR ON PAGE 39

FREE FREIGHT FOR ALL COMPLETE KITS



MERCEDES MEASUREMENTS

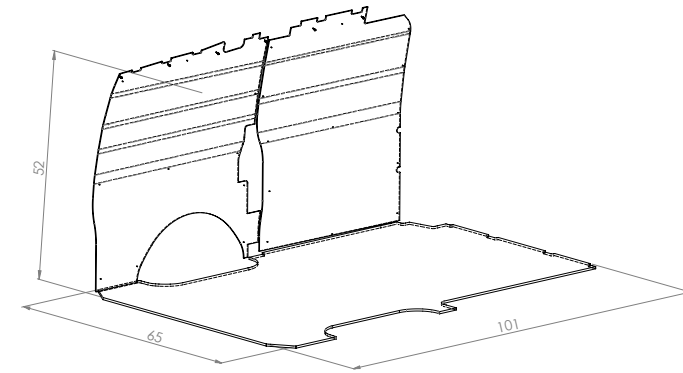


MERCEDES METRIS RWB
MERCEDES METRIS EWB
SPRINTER 144 WB LR
SPRINTER 144 WB HR
SPRINTER 170 WB
SPRINTER 170 EXT WB

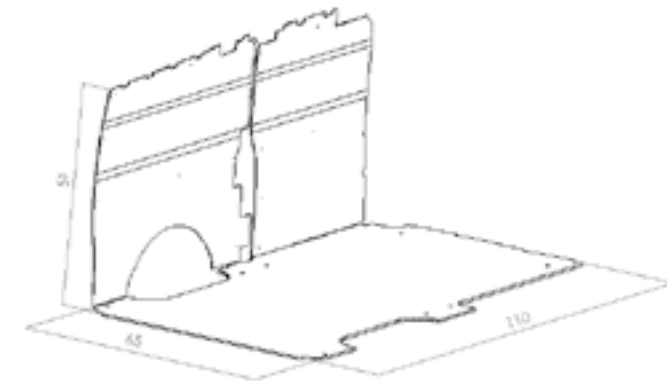
Mercedes-Benz



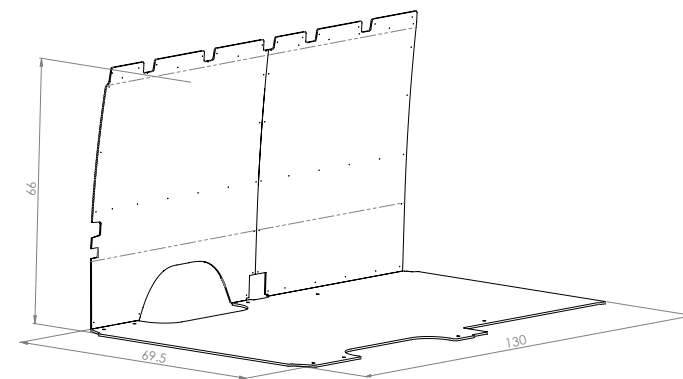
MERCEDES METRIS RWB



MERCEDES METRIS EWB



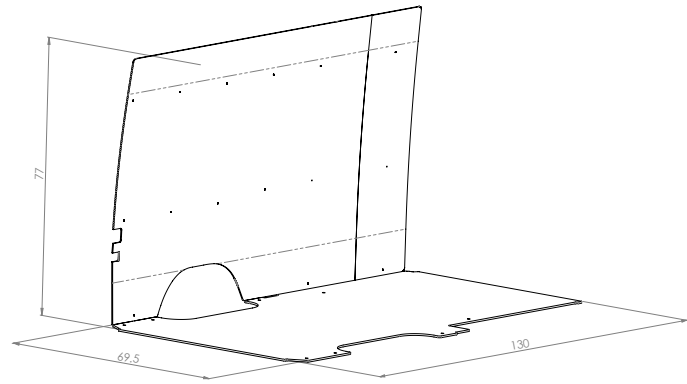
SPRINTER 144 WB LR



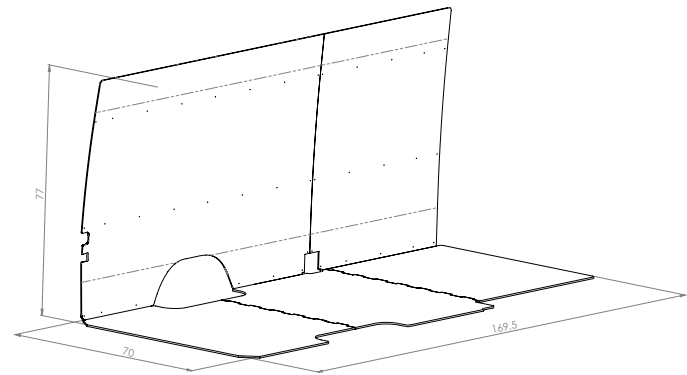
*please specify year of Sprinter model

MERCEDES MEASUREMENTS

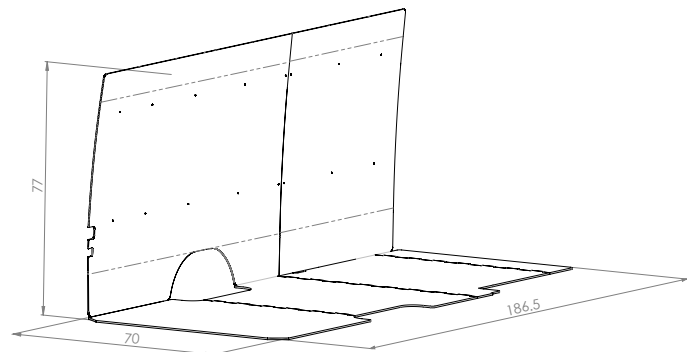
SPRINTER 144 WB HR



SPRINTER 170 WB



SPRINTER 170 EXT WB



MERCEDES COMPLETE KIT

DURATHERM WALL LINERS
DURATHERM DOOR LINERS
DURATHERM CEILING LINERS
ALUMINIUM TOP SILLS
ALUMINIUM SIDE DOOR SILLS
ALUMINIUM SIDE REAR SILLS
RIGID FLOOR OR RUBBER MAT

FOR COMPLETE KIT PART NUMBERS, REFER TO THE
COMPLETE KIT CONFIGURATOR ON PAGE 39

FREE FREIGHT FOR ALL COMPLETE KITS



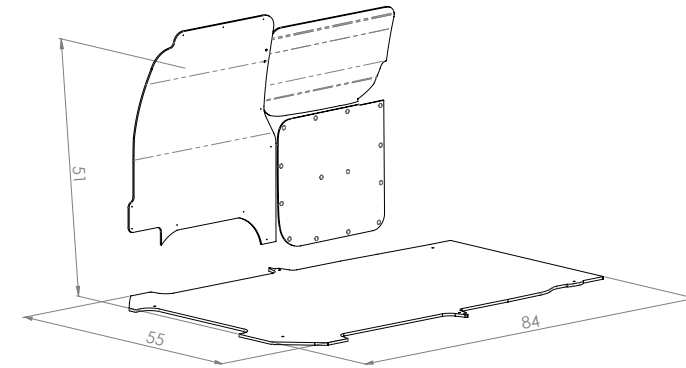
NISSAN MEASUREMENTS



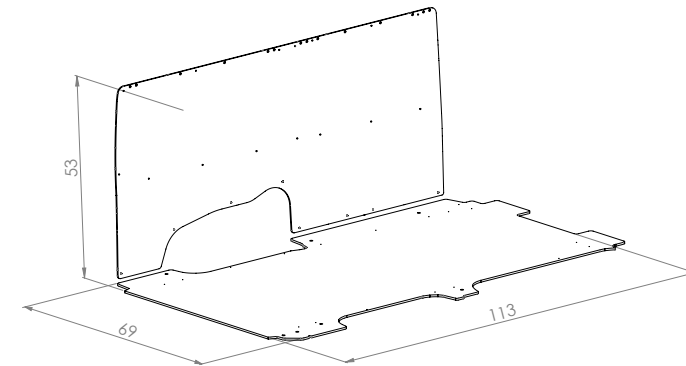
NV200
NISSAN NV CARGO LR
NISSAN NV CARGO HR



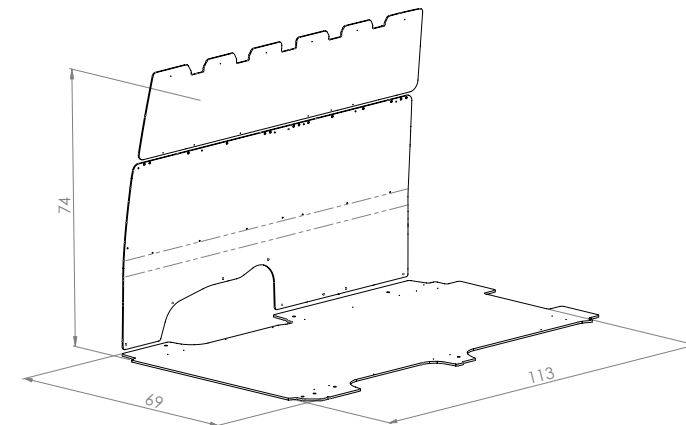
NV200



NISSAN NV CARGO LR



NISSAN NV CARGO HR



NISSAN COMPLETE KIT

- DURATHERM WALL LINERS**
- DURATHERM DOOR LINERS**
- DURATHERM CEILING LINERS**
- ALUMINIUM TOP SILLS**
- ALUMINIUM SIDE DOOR SILLS**
- ALUMINIUM SIDE REAR SILLS**
- RIGID FLOOR OR RUBBER MAT**

FOR COMPLETE KIT PART NUMBERS, REFER TO THE COMPLETE KIT CONFIGURATOR ON PAGE 39

FREE FREIGHT FOR ALL COMPLETE KITS



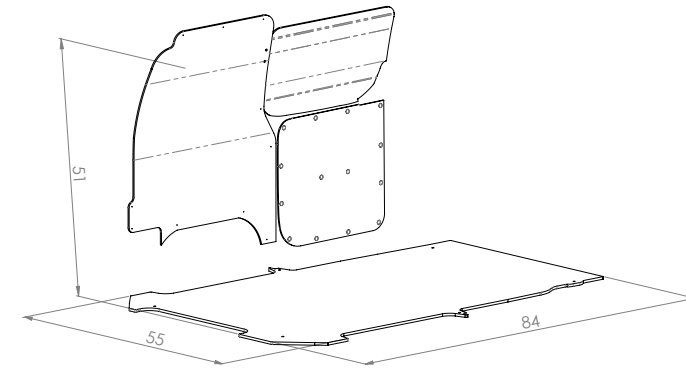
GMC MEASUREMENTS



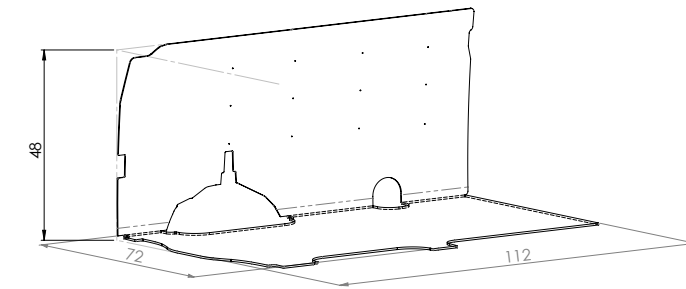
CHEVY CITY EXPRESS
GMC SAVANA RWB
GMC SAVANA EWB



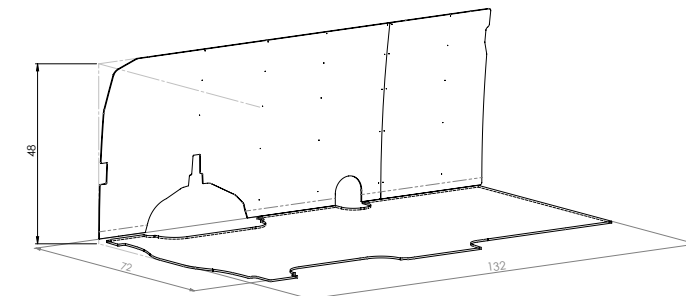
CHEVY CITY EXPRESS



GMC SAVANA RWB



GMC SAVANA EWB



GMC COMPLETE KIT

- DURATHERM WALL LINERS**
- DURATHERM DOOR LINERS**
- DURATHERM CEILING LINERS**
- ALUMINIUM TOP SILLS**
- ALUMINIUM SIDE DOOR SILLS**
- ALUMINIUM SIDE REAR SILLS**
- RIGID FLOOR OR RUBBER MAT**

FOR COMPLETE KIT PART NUMBERS, REFER TO THE
COMPLETE KIT CONFIGURATOR ON PAGE 39

FREE FREIGHT FOR ALL COMPLETE KITS





**COMPLETE KIT
MAXIMIZES SAFETY
AND PROTECTION**

COMPLETE KIT CONFIGURATOR

MODEL	PART #	FLOOR*	COLOUR	ROOF HEIGHT	RETAIL PRICE		
Sprinter 144	120	135 - StabiliGrip	0003 - Grey	.LR - Low Roof	\$2,675.29		
Spinter 170 RWB	130				\$3,171.77		
Sprinter 170 EWB	140				\$3,504.28		
Metris RWB	150				\$2,543.42		
Metris EWB	110	112 - KK-Plus		0004 - White	.MR - Mid Roof	\$2,543.42	
GMC RWB	310					\$2,042.58	
GMC EWB	320					\$2,593.59	
NV Cargo LR	510	\$2,526.70					
NV Cargo HR	520	061 - UltraFloor	0004 - White		.MR - Mid Roof	\$2,526.70	
Promaster 118	620					\$2,113.81	
Promaster 136	630	162 - UltraGrip			0004 - White	.HR - High Roof	\$2,543.42
Promaster 159	640						\$3,056.45
Promaster 159 EWB	650			\$3,184.12			
Promaster City	670	\$2,179.20					
Transit 130	730	043 - AutoMat-Bar		0004 - White		.HR - High Roof	\$2,609.42
Transit 148	740						\$2,989.54
Transit 148 EWB	750		\$3,366.86				
Transit Connect SWB	710	111- ArmorMat	0004 - White				.HR - High Roof
Transit Connect LWB	720				\$1,601.59		

Example Completed Part Number: 630-135-0003.MR =
ProMaster 136" Mid Roof Van with StabiliGrip floor, grey wall, door, and ceiling liners, and side and rear sill plates

CONFIGURATOR EXPLAINED

- First set of 3 numbers (in red) indicates the vehicle model.
- Second set of 3 numbers indicates the type of flooring you choose.
- Third set of 4 numbers refers to the color of the Duratherm panels.
- Last set of 2 letters refers to the roof height of the vehicle.

* Complete kit floors will come in 5x6' format unless otherwise specified.

STABILIGRIP

THE ULTIMATE RIGID FLOOR



The industry's only dimensionally-stable rigid floor, Stabiligrip has proved itself as a leader in cargo van floor protection and operator safety. Its fine grip gives it the ability to slide material and employ an extreme anti-slip surface, making it unbeatably versatile. This rigid floor helps a variety of fleets across many industries perform their best from utility to food service because of its wide-ranging properties.

- WILL NOT WARP IN EXTREME TEMPERATURES
- IMPACT / PUNCTURE RESISTANT
- CHEMICAL / MOISTURE RESISTANT
- DECREASES ROAD NOISE
- SAFE, EFFICIENT, FLAT WORK-SURFACE
- EASY TO CLEAN
- MEETS FMVSS 302
- PROFESSIONAL BRAND IMAGE

STABILIGRIP SPECIFICATIONS

VEHICLE MAKE PART # PCS WEIGHT INSTALL RETAIL



Transit Connect (105") SWB	711-135-6441	1 pc	41 lbs	10 mins	\$624.50
Transit Connect (121") LWB	721-135-6441	2 pc	50 lbs	15 mins	\$684.06
	721-135-6541	1 pc	50 lbs	10 mins	\$684.06
Transit 130" WB	731-135-6441	2 pc	114 lbs	20 mins	\$935.94
Transit 148" WB	741-135-6441	3 pc	122 lbs	30 mins	\$990.84
Transit 148" Extended WB	751-135-6441	3 pc	142 lbs	30 mins	\$1,100.17



Mercedes-Benz

Mercedes Metris (126") RWB	151-135-6441	2 pc	108 lbs	20 mins	\$779.18
Mercedes Metris (135") EWB	111-135-6441	2 pc	115 lbs	20 mins	\$779.18
Sprinter 144" WB	121-135-6441	3 pc	121 lbs	20 mins	\$817.46
Sprinter 170" Standard WB	131-135-6441	3 pc	151 lbs	20 mins	\$1,062.41
Sprinter 170" Extended WB	141-135-6441	4 pc	168 lbs	25 mins	\$1,116.41



Chevy City Express (115") WB	361-135-6441	2 pc	52 lbs	15 mins	\$599.93
	361-135-6541	1 pc	52 lbs	10 mins	\$599.93
GMC Savana/ Chevy Express Regular (135") WB	311-135-6441	2 pc	105 lbs	20 mins	\$802.65
GMC Savana/ Chevy Express Extended (155") WB	321-135-6441	3 pc	114 lbs	20 mins	\$925.35

ALL FLOORS NOW INCLUDE SIDE AND REAR ALUMINIUM SILL PLATES

VEHICLE MAKE PART # PCS WEIGHT INSTALL RETAIL



C/V Tradesman (119" WB)*	612-135-6441	2 pc	45 lbs	15 mins	\$607.77
	612-135-6541	1 pc	45 lbs	10 mins	\$607.77
Promaster City (122" WB)	671-135-6441	2 pc	82 lbs	20 mins	\$696.29
	671-135-6541	1 pc	82 lbs	15 mins	\$696.29
Promaster 118" WB	621-135-6441	2 pc	94 lbs	20 mins	\$711.25
Promaster 136" WB	631-135-6441	2 pc	105 lbs	20 mins	\$779.18
Promaster 159" WB	641-135-6441	3 pc	135 lbs	25 mins	\$934.27
Promaster 159" Extended WB	651-135-6441	3 pc	148 lbs	25 mins	\$1,042.60



NV 200 (115" WB)	531-135-6441	2 pc	52 lbs	15 mins	\$599.93
	531-135-6541	1 pc	52 lbs	10 mins	\$599.93
NV Cargo (140" WB)	511-135-6441	2 pc	112 lbs	20 mins	\$744.10

Floor info: pcs, weight, and install time doesn't include the sill set. Refer to page 54 for sill set information.

*There are currently no sills available for C/V Tradesman

Additional Product Extensions

- .1 dual rear wheels
- .2 dual sliding doors
- .4 w/ OEM door scuff plates
- .5 dual rear wheels and dual sliding wheels

ULTRAGRIP


GRIPPY COMPOSITE FLOOR



UltraGrip offers an extremely grippy surface for cargo van applications, which creates a reliable surface for operators to work in. Due to being a high density plastic, this floor does have a high expansion and contraction rate; care needs to be taken when mounting product over top of this floor.

- RIGID HDPE PLASTIC FLOOR FOR DURABILITY
- IMPACT / PUNCTURE RESISTANT
- UNIQUE RUBBERIZED SURFACE FOR SAFETY
- MAINTENANCE FREE
- SAFE, EFFICIENT WORK-SURFACE
- EXTREME ANTI-SLIP

ULTRAGRIP SPECIFICATIONS

VEHICLE MAKE	PART #	PCS	WEIGHT	INSTALL	RETAIL	
	Transit Connect (105") SWB	711-162-6441	1 pc	41 lbs	15 mins	\$624.50
	Transit Connect (121") LWB	721-162-6441	2 pc	50 lbs	15 mins	\$624.50
		721-162-6541	1 pc	50 lbs	10 mins	\$624.50
	Transit 130" WB	731-162-6441	2 pc	114 lbs	20 mins	\$835.96
		731-162-6641	1 pc	114 lbs	15 mins	\$835.96
	Transit 148" WB	741-162-6441	3 pc	122 lbs	20 mins	\$990.86
741-162-6641		2 pc	122 lbs	20 mins	\$990.86	
Transit 148" Extended WB	751-162-6441	3 pc	142 lbs	25 mins	\$1,100.19	
	751-162-6641	2 pc	142 lbs	25 mins	\$1,100.19	




Mercedes-Benz

Mercedes Metris (126") RWB	151-162-6441	2 pc	108 lbs	20 mins	\$779.18
	151-162-6641	1 pc	108 lbs	15 mins	\$779.18
Mercedes Metris (135") EWB	111-162-6441	2 pc	110 lbs	20 mins	\$779.18
	111-162-6641	1 pc	110 lbs	15 mins	\$779.18
Sprinter 144" WB	121-162-6441	3 pc	121 lbs	20 mins	\$817.46
	121-162-6641	2 pc	121 lbs	20 mins	\$817.46
Sprinter 170" Standard WB	131-162-6441	3 pc	151 lbs	20 mins	\$1,062.41
	131-162-6641	2 pc	151 lbs	20 mins	\$1,062.41
Sprinter 170" Extended WB	141-162-6441	4 pc	168 lbs	25 mins	\$1,116.41
	141-162-6641	2 pc	168 lbs	25 mins	\$1,116.41



NV 200 (115" WB)	532-162-6441	2 pc	52 lbs	15 mins	\$599.93
	532-162-6541	1 pc	52 lbs	10 mins	\$599.93
NV Cargo (140" WB)	512-162-6441	2 pc	112 lbs	20 mins	\$744.00
	512-162-6641	1 pc	112 lbs	15 mins	\$744.00

ALL FLOORS NOW INCLUDE SIDE AND REAR ALUMINIUM SILL PLATES

VEHICLE MAKE	PART #	PCS	WEIGHT	INSTALL	RETAIL	
	C/V Tradesman	612-162-6441	2 pc	90 lbs	20 mins	\$607.77
		612-162-6541	1 pc	90 lbs	15 mins	\$607.77
Promaster City (122" WB)	671-162-6441	2 pc	82 lbs	20 mins	\$696.29	
	671-162-6541	1 pc	82 lbs	15 mins	\$696.29	
Promaster 118" WB	621-162-6441	2 pc	94 lbs	20 mins	\$711.25	
	621-162-6641	1 pc	94 lbs	15 mins	\$711.25	
Promaster 136" WB	631-162-6441	2 pc	105 lbs	20 mins	\$777.18	
	631-162-6641	1 pc	105 lbs	15 mins	\$777.18	
Promaster 159" WB	641-162-6441	3 pc	135 lbs	25 mins	\$934.27	
	641-162-6641	2 pc	135 lbs	25 mins	\$934.27	
Promaster 159" Extended WB	651-162-6441	3 pc	148 lbs	25 mins	\$1,042.60	
	651-162-6641	2 pc	148 lbs	25 mins	\$1,042.60	



Chevy City Express (115") WB	361-162-6441	2 pc	52 lbs	15 mins	\$599.93
	361-162-6541	1 pc	52 lbs	10 mins	\$599.93
GMC Savana/ Chevy Express Regular (135") WB	311-162-6441	2 pc	105 lbs	20 mins	\$802.65
	311-162-6641	1 pc	105 lbs	15 mins	\$802.65
GMC Savana/ Chevy Express Extended (155") WB	321-162-6441	3 pc	114 lbs	20 mins	\$925.35
	321-162-6641	2 pc	114 lbs	20 mins	\$925.35

Floor info: pcs, weight, and install time doesn't include the sill set. Refer to page 54 for sill set information.

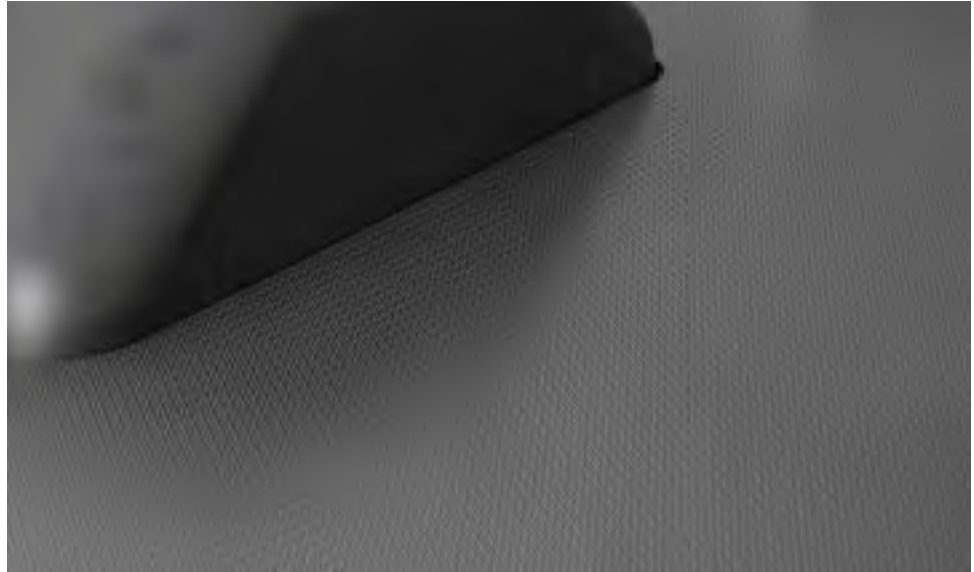
*There are currently no sills available for C/V Tradesman

Additional Product Extensions

- .1 dual rear wheels
- .2 dual sliding doors
- .4 w/ OEM door scuff plates
- .5 dual rear wheels and dual sliding doors

ULTRAFLOOR

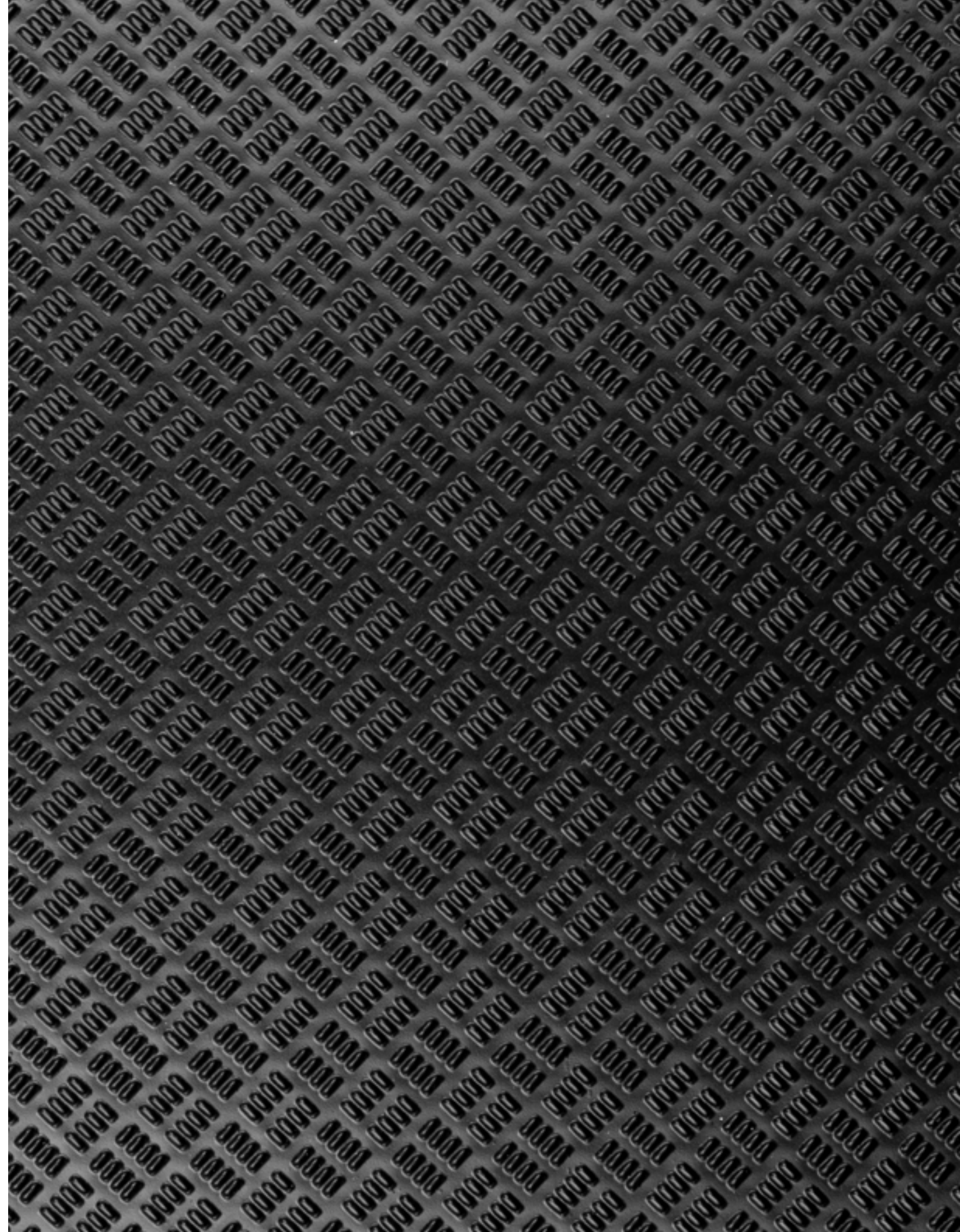
RIGID FLOOR FOR LOADING CARGO



This durable rigid floor is excellent for loading and unloading heavy cargo due to its slippery texture*.

*Operators should take caution when walking on the floor.

- RIGID HDPE PLASTIC FLOOR FOR DURABILITY
- NON-POROUS PLASTIC - RESISTS STAINS AND MOLD
- IDEAL FOR LOADING PALLETS AND CARGO - RIDGES ALLOW EASY SLIDES
- MAINTENANCE-FREE



ULTRAFLOOR SPECIFICATIONS

VEHICLE MAKE PART # PCS WEIGHT INSTALL RETAIL



Transit Connect (105") SWB	711-061-6441	1 pc	39 lbs	10 mins	\$624.50
Transit Connect (121") LWB	721-061-6441	2 pc	48 lbs	15 mins	\$684.06
	721-061-6541	1 pc	48 lbs	10 mins	\$684.06
Transit 130" WB	731-061-6441	2 pc	108 lbs	20 mins	\$935.94
	731-061-6641	1 pc	108 lbs	20 mins	\$935.94
Transit 148" WB	741-061-6441	3 pc	116 lbs	20 mins	\$990.84
	741-061-6641	2 pc	116 lbs	20 mins	\$990.84
Transit 148" Extended WB	751-061-6441	3 pc	135 lbs	25 mins	\$1,100.17
	751-061-6641	2 pc	135 lbs	25 mins	\$1,100.17



Mercedes-Benz

Mercedes Metris (126") RWB	151-061-6441	2 pc	103 lbs	20 mins	\$779.18
	151-061-6641	1 pc	103 lbs	15 mins	\$779.18
Mercedes Metris (135") EWB	111-061-6441	2 pc	110 lbs	20 mins	\$779.18
	111-061-6641	1 pc	110 lbs	15 mins	\$779.18
Sprinter 144" WB	121-061-6441	3 pc	115 lbs	20 mins	\$817.46
	121-061-6641	2 pc	115 lbs	20 mins	\$817.46
Sprinter 170" Standard WB	131-061-6441	3 pc	143 lbs	20 mins	\$1,062.41
	131-061-6641	2 pc	143 lbs	20 mins	\$1,062.41
Sprinter 170" Extended WB	141-061-6441	4 pc	160 lbs	25 mins	\$1,116.41
	141-061-6641	2 pc	160 lbs	25 mins	\$1,116.41



NV 200 (115" WB)	531-061-6441	2 pc	49 lbs	15 mins	\$599.93
	531-061-6541	1 pc	49 lbs	10 mins	\$599.93
NV Cargo (140" WB)	511-061-6441	2 pc	106 lbs	20 mins	\$744.10
	511-061-6641	1 pc	106 lbs	15 mins	\$744.10

ALL FLOORS NOW INCLUDE SIDE AND REAR ALUMINIUM SILL PLATES

VEHICLE MAKE PART # PCS WEIGHT INSTALL RETAIL



C/V Tradesman* (119" WB)	612-061-6441	2 pc	90 lbs	20 mins	\$607.77
	612-061-6541	1 pc	90 lbs	20 mins	\$607.77
Promaster City (122" WB)	671-061-6441	2 pc	78 lbs	20 mins	\$696.29
	671-061-6541	1 pc	78 lbs	20 mins	\$696.29
Promaster 118" WB	621-061-6441	2 pc	89 lbs	20 mins	\$711.25
	621-061-6641	1 pc	89 lbs	20 mins	\$711.25
Promaster 136" WB	631-061-6441	2 pc	100 lbs	20 mins	\$779.18
	631-061-6641	1 pc	100 lbs	20 mins	\$779.18
Promaster 159" WB	641-061-6441	3 pc	128 lbs	25 mins	\$934.27
	641-061-6641	2 pc	128 lbs	25 mins	\$934.27
Promaster 159" Extended WB	651-061-6441	3 pc	141 lbs	25 mins	\$1,042.60
	651-061-6641	2 pc	141 lbs	25 mins	\$1,042.60



Chevy City Express (115") WB	361-061-6441	2 pc	49 lbs	15 mins	\$599.93
	361-061-6541	1 pc	49 lbs	10 mins	\$599.93
GMC Savana/ Chevy Express Regular (135") WB	311-061-6441	2 pc	100 lbs	20 mins	\$802.65
	311-061-6641	1 pc	100 lbs	15 mins	\$802.65
GMC Savana/ Chevy Express Extended (155") WB	321-061-6441	3 pc	108 lbs	20 mins	\$925.35
	321-061-6641	2 pc	108 lbs	20 mins	\$925.35

Floor info: pcs, weight, and install time doesn't include the sill set. Refer to page 54 for sill set information.

*There are currently no sills available for C/V Tradesman

Additional Product Extensions

- .1 dual rear wheels
- .2 dual sliding doors
- .4 w/ OEM door scuff plates
- .5 dual rear wheels and dual sliding doors

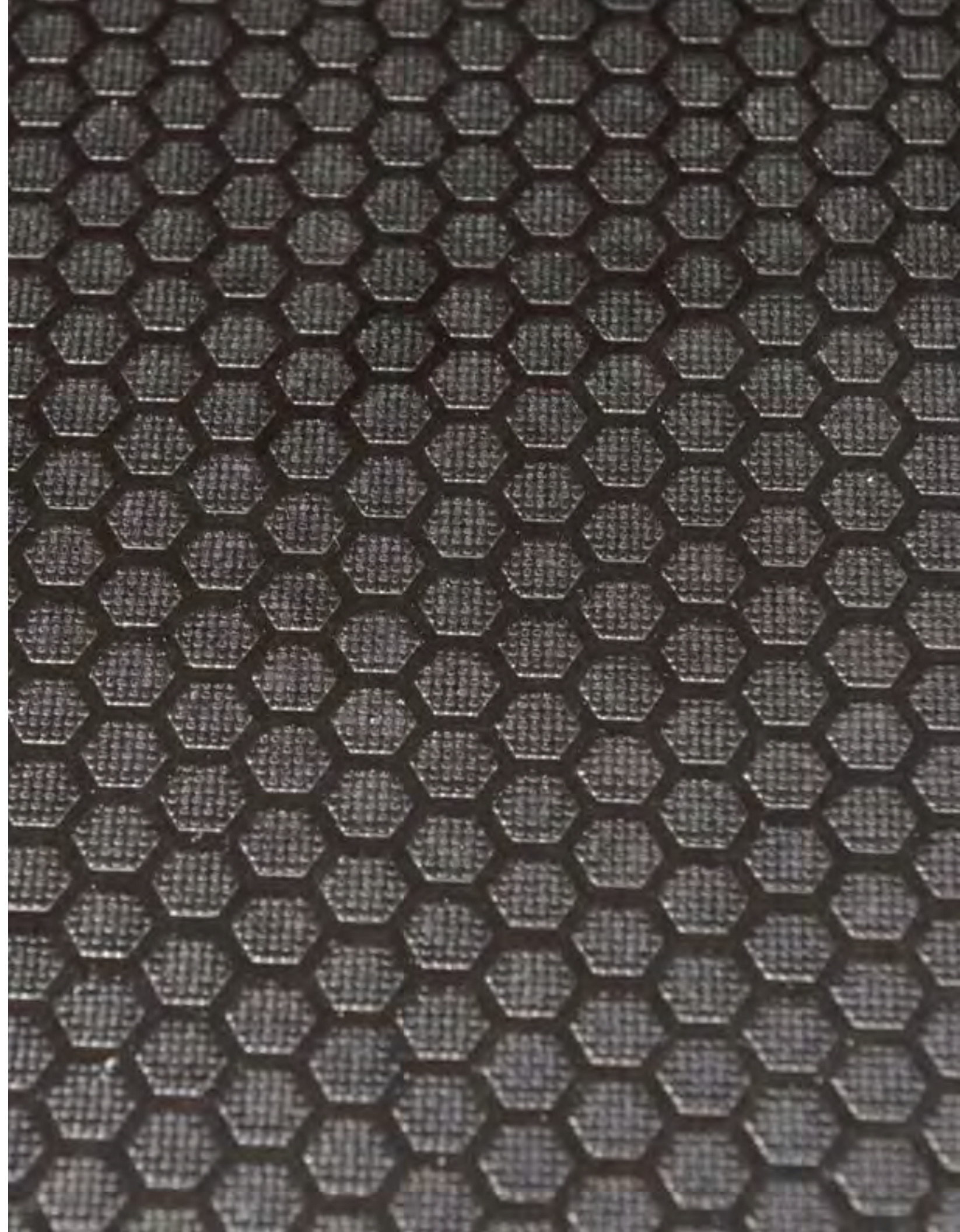
KK - PLUS

PLYWOOD RIGID FLOORING




With a high-quality 9-ply core, this birch plywood floor is extremely durable. Unlike other cheaper floors on the market, this rigid floor is reliable, long-lasting, and built for wear and tear.

- 9-PLY BIRCH PLYWOOD; EXTREMELY RIGID
- WEAR-RESISTANT PHENOLIC RESIN COATING
- TEXTURED SURFACE FOR TRACTION AND SAFETY
- VERY STABLE - LOW EXPANSION AND CONTRACTION



KK-PLUS SPECIFICATIONS

ALL FLOORS NOW INCLUDE SIDE AND REAR ALUMINIUM SILL PLATES


VEHICLE MAKE	PART #	PCS	WEIGHT	INSTALL	RETAIL	
	Transit Connect (105") SWB	711-112-4442	1 pc	40 lbs	10 mins	\$624.50
	Transit Connect (121") LWB	721-112-4442	2 pc	49 lbs	15 mins	\$684.06
		721-112-4542	1 pc	49 lbs	10 mins	\$684.06
	Transit 130" WB	731-112-4442	2 pc	111 lbs	20 mins	\$935.94
		731-112-4642	1 pc	111 lbs	15 mins	\$935.94
	Transit 148" WB	741-112-4442	3 pc	119 lbs	20 mins	\$990.84
741-112-4642		2 pc	119 lbs	20 mins	\$990.84	
Transit 148" Extended WB	751-112-4442	3 pc	138 lbs	25 mins	\$1,100.17	
	751-112-4642	2 pc	138 lbs	25 mins	\$1,100.17	



Mercedes Metris (126") RWB	151-112-4442	2 pc	105 lbs	20 mins	\$779.18
	151-112-4642	1 pc	105 lbs	15 mins	\$779.18
Mercedes Metris (135") EWB	111-112-4442	2 pc	110 lbs	20 mins	\$779.18
	111-112-4642	1 pc	110 lbs	15 mins	\$779.18
Sprinter 144" WB	121-112-4442	3 pc	118 lbs	20 mins	\$817.46
	121-112-4642	2 pc	118 lbs	20 mins	\$817.46
Sprinter 170" Standard WB	131-112-4442	3 pc	147 lbs	20 mins	\$1,062.41
	131-112-4642	2 pc	147 lbs	20 mins	\$1,062.41
Sprinter 170" Extended WB	141-112-4442	4 pc	164 lbs	25 mins	\$1,116.41
	141-112-4642	2 pc	164 lbs	25 mins	\$1,116.41



NV 200 (115" WB)	531-112-4442	2 pc	51 lbs	15 mins	\$599.93
	531-112-4542	1 pc	51 lbs	10 mins	\$599.93
NV Cargo (140" WB)	511-112-4442	2 pc	109 lbs	20 mins	\$744.10
	511-112-4642	1 pc	109 lbs	15 mins	\$744.10

VEHICLE MAKE	PART #	PCS	WEIGHT	INSTALL	RETAIL	
	C/V Tradesman* (119" WB)					
	612-112-4442	2 pc	82 lbs	20 mins	\$607.77	
	612-112-4542	1 pc	82 lbs	15 mins	\$607.77	
Promaster City (122" WB)		671-112-4442	2 pc	80 lbs	20 mins	\$696.29
	671-112-4542	1 pc	80 lbs	15 mins	\$696.29	
Promaster 118" WB		621-112-4442	2 pc	92 lbs	20 mins	\$711.25
	621-112-4542	1 pc	92 lbs	15 mins	\$711.25	
Promaster 136" WB		631-112-4442	2 pc	102 lbs	20 mins	\$779.18
	631-112-4642	1 pc	102 lbs	15 mins	\$779.18	
Promaster 159" WB		641-112-4442	3 pc	131 lbs	25 mins	\$934.27
	641-112-4642	2 pc	131 lbs	25 mins	\$934.27	
Promaster 159" Extended WB		651-112-4442	3 pc	144 lbs	25 mins	\$1,042.60
	651-112-4642	2 pc	144 lbs	25 mins	\$1,042.60	



Chevy City Express (115") WB	361-112-4442	2 pc	51 lbs	15 mins	\$599.93
	361-112-4542	1 pc	51 lbs	10 mins	\$599.93
GMC Savana/ Chevy Express Regular (135") WB	311-112-4442	2 pc	102 lbs	20 mins	\$802.65
	311-112-4642	1 pc	102 lbs	15 mins	\$802.65
GMC Savana/ Chevy Express Extended (155") WB	321-112-4442	3 pc	111 lbs	20 mins	\$925.35
	321-112-4642	2 pc	111 lbs	20 mins	\$925.35

Floor info: pcs, weight, and install time doesn't include the sill set. Refer to page 54 for sill set information.

*There are currently no sills available for C/V Tradesman

Additional Product Extensions

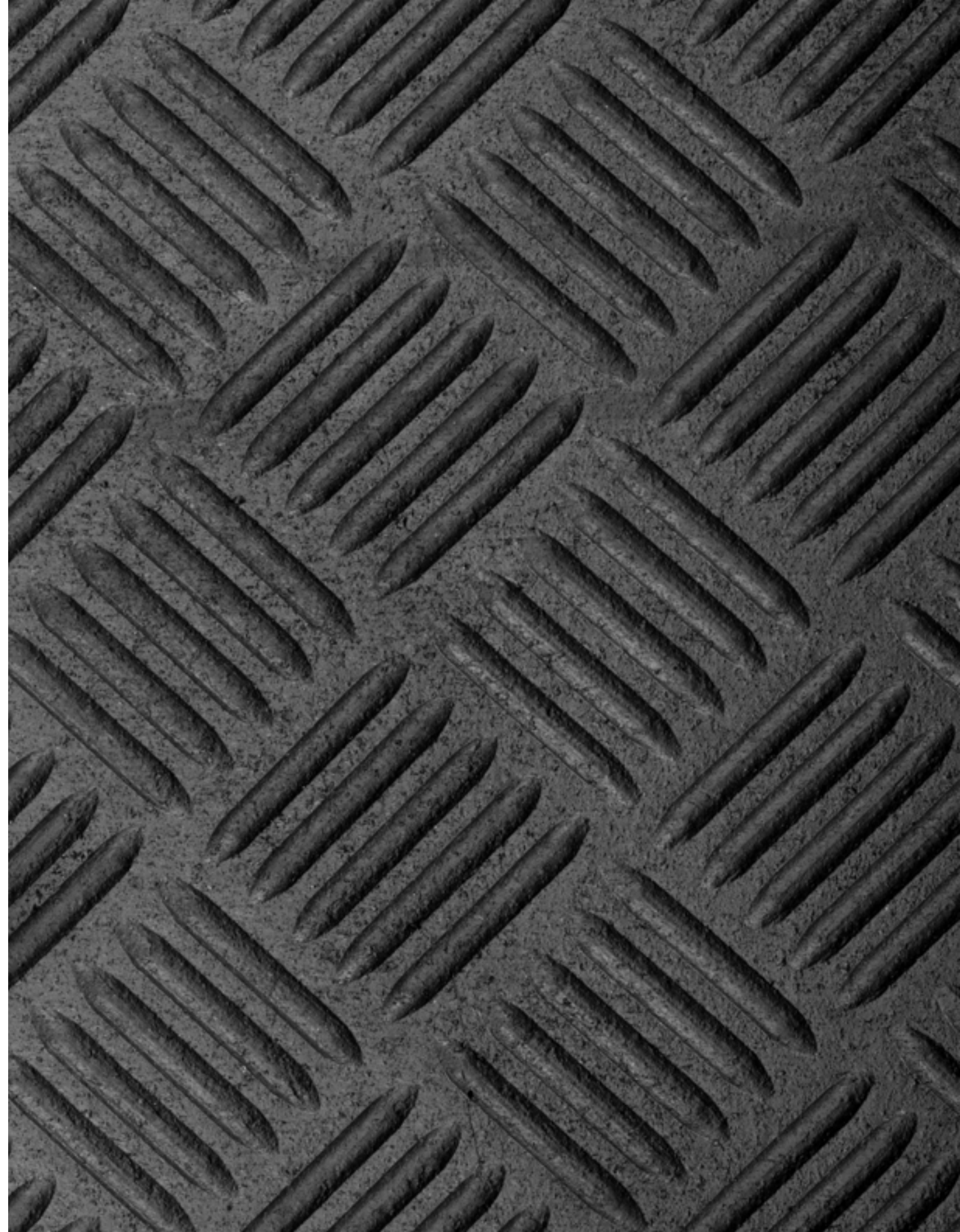
- .1 dual rear wheels
- .2 dual sliding doors
- .4 w/ OEM door scuff plates
- .5 dual rear wheels and dual sliding doors

AUTOMAT-BAR

ALL-PURPOSE RUBBER MAT



- INCREDIBLE TRACTION/ANTI-SLIP
- IDEAL FOR EXTRA TRACTION
- ONE PIECE MAT; NO JOINTS
- CHEMICAL/MOISTURE RESISTANT
- 1/4" THICK VIRGIN RUBBER COMPOUND WITH CHECKER-PLATE BAR TOP SURFACE
- EASY TO CLEAN



AUTOMAT-BAR SPECIFICATIONS

VEHICLE MAKE PART # PCS WEIGHT INSTALL RETAIL



Transit Connect (105") SWB	711-043-7521	1 pc	26 lbs	8 mins	\$260.37
Transit Connect (121") LWB	721-043-7521	1 pc	34 lbs	8 mins	\$277.51
Transit 130" WB	731-043-7621	1 pc	56 lbs	10 mins	\$495.79
Transit 148" WB	741-043-7321	1 pc	66 lbs	10 mins	\$527.06
Transit 148" Extended WB	751-043-7021	1 pc	83 lbs	10 mins	\$575.47



Mercedes-Benz

Mercedes Metris (126") RWB	151-043-7621	1 pc	67 lbs	15 mins	\$438.20
Mercedes Metris (135") EWB	111-043-7321	1 pc	70 lbs	15 mins	\$438.20
Sprinter 144" WB	121-043-7021	1 pc	66 lbs	10 mins	\$456.50
Sprinter 170" Standard WB	131-043-7021	1 pc	90 lbs	12 mins	\$522.10
Sprinter 170" Extended WB	141-043-7021	1 pc	100 lbs	15 mins	\$536.61

Additional Product Extensions
 .2 Partition Storage and Dual Sliding Doors



Chevy City Express (115") WB	361-043-7521	1 pc	31 lbs	10 mins	\$289.33
GMC Savana/ Chevy Express Regular (135") WB	311-043-7621	1 pc	56 lbs	10 mins	\$463.50
GMC Savana/ Chevy Express Extended (155") WB	321-043-7321	1 pc	68 lbs	10 mins	\$497.50

ALL FLOORS NOW INCLUDE SIDE AND REAR ALUMINIUM SILL PLATES

VEHICLE MAKE PART # PCS WEIGHT INSTALL RETAIL



C/V Tradesman* (119" WB)	612-043-7521	1 pc	36 lbs	10 mins	\$220.56
Promaster City (122" WB)	671-043-7621	1 pc	34 lbs	10 mins	\$289.24
Promaster 118" WB	621-043-7621	1 pc	56 lbs	15 mins	\$414.91
Promaster 136" WB	631-043-7621	1 pc	67 lbs	15 mins	\$438.20
Promaster 159" WB	641-043-7321	1 pc	81 lbs	20 mins	\$469.91
Promaster 159" Extended WB	651-043-7021	1 pc	85 lbs	20 mins	\$517.88



NV 200 (115" WB)	531-043-7621	1 pc	31 lbs	20 mins	\$289.33
NV Cargo (140" WB)	511-043-7621	1 pc	58 lbs	20 mins	\$399.60

Floor info: pcs, weight, and install time doesn't include the sill set. Refer to page 54 for sill set information.

*C/V Tradesman doesn't offer sills.

Additional Product Extensions

- .1 dual rear wheels
- .2 dual sliding doors
- .4 w/ OEM door scuff plates (Ford Transit)
- .5 dual rear wheels and dual sliding doors

ARMORMAT

HEAVY-DUTY RUBBER MAT



- INCREDIBLE TRACTION/ANTI-SLIP
- TOUGHEST MAT ON MARKET
- SUITABLE FOR WET OR OILY APPLICATIONS
- EXTREMELY HEAVY DUTY
- TREAD PLATE FINISH FOR AGGRESSIVE TRACTION
- CHEMICAL/MOISTURE RESISTANT



ARMORMAT SPECIFICATIONS

VEHICLE MAKE	PART #	PCS	WEIGHT	INSTALL	RETAIL
--------------	--------	-----	--------	---------	--------



Transit Connect (105") SWB	711-111-7521	1 pc	26 lbs	15 mins	\$287.91
Transit Connect (121") LWB	721-111-7521	1 pc	37 lbs	15 mins	\$302.58
Transit 130" WB	731-111-7521	2 pc	62 lbs	20 mins	\$551.80
Transit 148" WB	741-111-7521	3 pc	73 lbs	20 mins	\$656.20
Transit 148" Extended WB	751-111-7521	3 pc	90 lbs	25 mins	\$720.90



Mercedes-Benz

Mercedes Metris (126") RWB	151-111-7521	1 pc	67 lbs	15 mins	\$438.20
Mercedes Metris (135") EWB	111-111-7521	1 pc	70 lbs	15 mins	\$438.20
Sprinter 144" WB	121-111-7521	1 pc	66 lbs	10 mins	\$456.50
Sprinter 170" Standard WB	131-111-7521	1 pc	90 lbs	12 mins	\$522.10
Sprinter 170" Extended WB	141-111-7521	1 pc	100 lbs	15 mins	\$536.61



Chevy City Express (115") WB	361-111-7521	1 pc	42 lbs	15 mins	\$317.41
GMC Savana/ Chevy Express Regular (135") WB	311-111-7521	1 pc	62 lbs	20 mins	\$501.25
GMC Savana/ Chevy Express Extended (155") WB	321-111-7521	1 pc	106 lbs	20 mins	\$578.22

ALL FLOORS NOW INCLUDE SIDE AND REAR ALUMINIUM SILL PLATES

VEHICLE MAKE	PART #	PCS	WEIGHT	INSTALL	RETAIL
--------------	--------	-----	--------	---------	--------



C/V Tradesman* (119" WB)	612-111-7521	1 pc	36 lbs	10 mins	\$262.27
Promaster City (122" WB)	671-111-7521	1 pc	34 lbs	10 mins	\$295.90
Promaster 118" WB	621-111-7521	1 pc	56 lbs	15 mins	\$539.09
Promaster 136" WB	631-111-7521	1 pc	67 lbs	15 mins	\$549.91
Promaster 159" WB	641-111-7521	1 pc	81 lbs	20 mins	\$598.61
Promaster 159" Extended WB	651-111-7521	1 pc	85 lbs	20 mins	\$517.88



NV 200 (115" WB)	531-043-7621	1 pc	31 lbs	20 mins	\$317.41
NV Cargo (140" WB)	511-043-7621	1 pc	58 lbs	20 mins	\$440.79

Floor info: pcs, weight, and install time doesn't include the sill set. Refer to page 54 for sill set information.

*C/V Tradesman doesn't offer sills.

Additional Product Extensions

- .1 dual rear wheels
- .2 dual sliding doors
- .4 w/ OEM door scuff plates
- .5 dual rear wheels and dual sliding doors

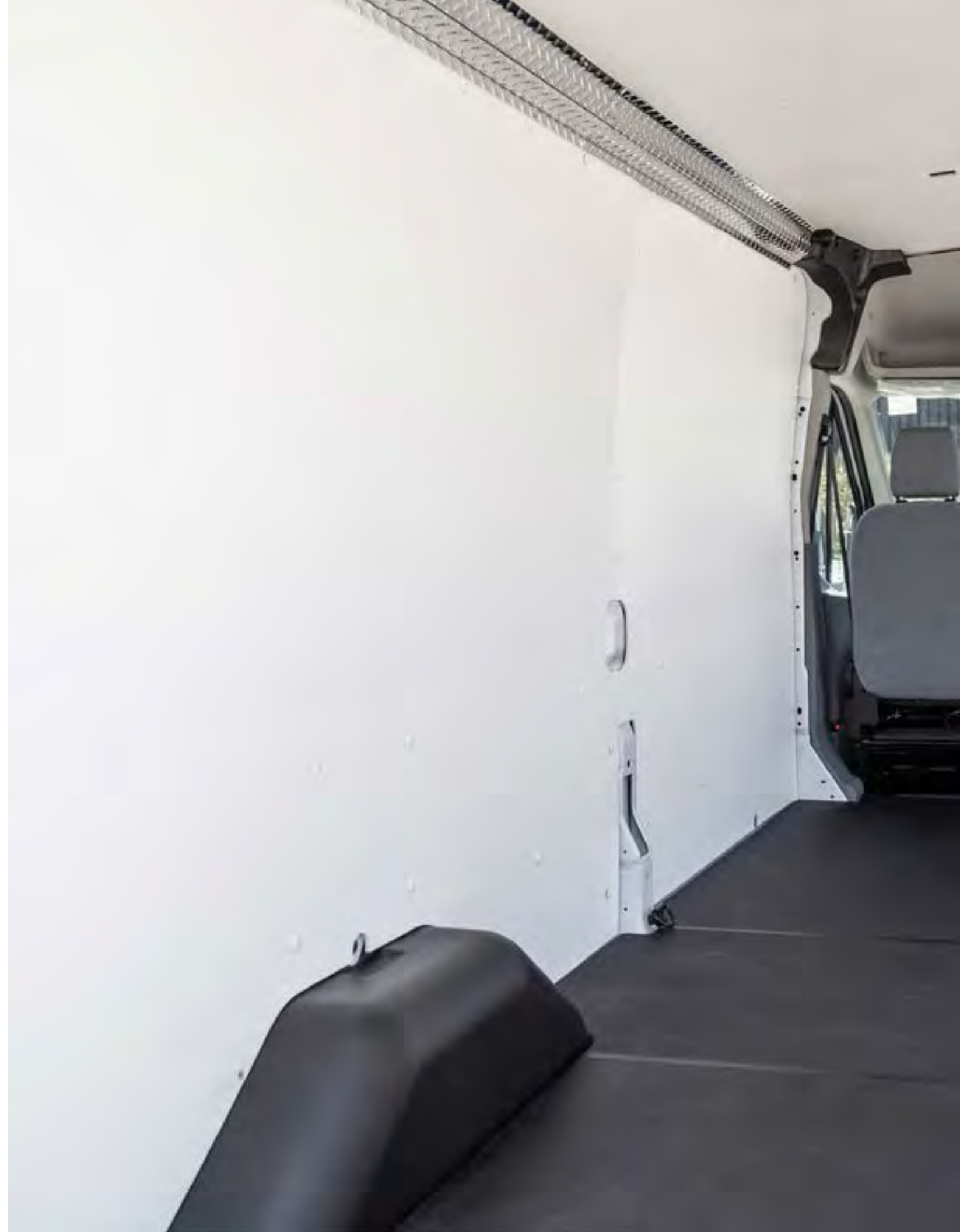
DURATHERM

INSULATED WALL LINERS




These industry-leading wall liners are highly durable, impact resistant, and will protect cargo van panels from the harshest wear and tear. These liners' insulation deadens sound significantly to enhance operator workspaces, while creating a thermal barrier to control temperatures. Superb side-panel protection and price competitive initial cost increases the lifespan and resale value of vehicle.

- SOUND DEADENING
- IMPACT / PUNCTURE RESISTANT
- LIGHTWEIGHT & EASY TO INSTALL
- PRECISION CUT
- THERMAL BARRIER - LAYER OF INSULATION
- PROFESSIONAL BRAND IMAGE
- AVAILABLE IN WHITE AND GREY



WALL LINER SPECIFICATIONS

VEHICLE MAKE	PART #	COLOUR	WEIGHT	INSTALL	RETAIL	
	Transit Connect (105") SWB	714-114-2613	Grey	18 lbs	45 mins	\$400.26
		714-114-2614	White	18 lbs	45 mins	\$400.26
Transit Connect (121") LWB	724-114-2613	Grey	18 lbs	45 mins	\$475.37	
	724-114-2614	White	18 lbs	45 mins	\$475.37	
Transit 130" WB Low Roof	734-114-2613.LR	Grey	28 lbs	60 mins	\$1,063.11	
	734-114-2614.LR	White	28 lbs	60 mins	\$1,063.11	
Transit 130" WB Mid Roof	734-114-2613.MR	Grey	30 lbs	60 mins	\$1,063.11	
	734-114-2614.MR	White	30 lbs	60 mins	\$1,063.11	
Transit 148" WB Low Roof	744-114-2613.LR	Grey	32 lbs	60 mins	\$1,218.84	
	744-114-2614.LR	White	32 lbs	60 mins	\$1,218.84	
Transit 148" WB Mid Roof	744-114-2613.MR	Grey	36 lbs	75 mins	\$1,218.84	
	744-114-2614.MR	White	36 lbs	75 mins	\$1,218.84	
Transit 148" WB High Roof	744-114-2613.HR	Grey	38 lbs	75 mins	\$1,218.84	
	744-114-2614.HR	White	38 lbs	75 mins	\$1,218.84	
Transit 148" Extended WB	754-114-2613	Grey	44 lbs	80 mins	\$1,377.22	
	754-114-2614	White	44 lbs	80 mins	\$1,377.22	

* if dual door option (.2) is selected subtract the following from retail wall liner price:
\$158.99 for Transit \$79.49 for Transit Connect



Mercedes-Benz

Mercedes Metris (126") RWB	154-114-2613	Grey	25 lbs	60 mins	\$1,064.40
	154-114-2614	White	25 lbs	60 mins	\$1,064.40
Mercedes Metris (135") EWB	114-114-2613	Grey	28 lbs	60 mins	\$1,064.40
	114-114-2614	White	28 lbs	60 mins	\$1,064.40
Sprinter 144" WB Low Roof	124-114-2613.LR	Grey	30 lbs	60 mins	\$1,158.19
	124-114-2614.LR	White	30 lbs	60 mins	\$1,158.19
Sprinter 144" WB High Roof	124-114-2613.HR	Grey	36 lbs	60 mins	\$1,158.19
	124-114-2614.HR	White	36 lbs	60 mins	\$1,158.19
Sprinter 170" WB	134-114-2613	Grey	46 lbs	75 mins	\$1,408.48
	134-114-2614	White	46 lbs	75 mins	\$1,408.48
Sprinter 170" Extended WB	144-114-2613	Grey	52 lbs	90 mins	\$1,590.82
	144-114-2614	White	52 lbs	90 mins	\$1,590.82

* if dual door option (.2) is selected subtract \$158.99 from retail wall liner price.

VEHICLE MAKE PART # COLOUR WEIGHT INSTALL RETAIL



Promaster City (122" WB)	674-114-2613	Grey	25 lbs	45 min	\$601.98
	674-114-2614	White	25 lbs	45 min	\$601.98
Promaster 118" WB	624-114-2613	Grey	30 lbs	60 min	\$802.56
	624-114-2614	White	30 lbs	60 min	\$802.56
Promaster 136" WB Low Roof	634-114-2613.LR	Grey	34 lbs	60 min	\$1,064.40
	634-114-2614.LR	White	34 lbs	60 min	\$1,064.40
Promaster 136" WB High Roof	634-114-2613.HR	Grey	36 lbs	75 min	\$1,064.40
	634-114-2614.HR	White	36 lbs	75 min	\$1,064.40
Promaster 159" WB	644-114-2613	Grey	38 lbs	75 min	\$1,218.84
	644-114-2614	White	38 lbs	75 min	\$1,218.84
Promaster 159" Extended WB	654-114-2613	Grey	42 lbs	75 min	\$1,377.22
	654-114-2614	White	42 lbs	75 min	\$1,377.22

* if dual door option (.2) is selected subtract the following from retail wall liner price:
\$158.99 for Promaster \$79.49 for Promaster City



NV 200 (115" WB)	534-114-2613	Grey	15 lbs	30 mins	\$434.83
	534-114-2614	White	15 lbs	30 mins	\$434.83
NV Cargo (140" WB) Low Roof	514-114-2613	Grey	25 lbs	60 mins	\$1,210.74
	514-114-2614	White	25 lbs	60 mins	\$1,210.74
NV Cargo (140" WB) High Roof	524-114-2613	Grey	30 lbs	60 mins	\$1,210.74
	524-114-2614	White	30 lbs	60 mins	\$1,210.74

* if dual door option (.2) is selected subtract \$79.49 from retail wall liner price.

Additional Product Extensions

.2 dual sliding doors

WALL LINER SPECIFICATIONS

VEHICLE MAKE	PART #	COLOUR	WEIGHT	INSTALL	RETAIL
--------------	--------	--------	--------	---------	--------



Chevy City Express (115") WB	534-114-2613	Grey	15 lbs	30 mins	\$434.83
	534-114-2614	White	14 lbs	30 mins	\$434.83
GMC Regular (135") WB	314-114-2613	Grey	25 lbs	60 mins	\$687.49
	314-114-2614	White	25 lbs	60 mins	\$687.49
GMC Extended (155") WB	324-114-2613	Grey	30 lbs	60 mins	\$950.98
	324-114-2614	White	30 lbs	60 mins	\$950.98

* if dual door option (.2) is selected subtract \$79.49 from retail wall liner price.

Additional Product Extensions

.2 dual sliding doors



PROTECT YOUR INVESTMENT

DURATHERM

INSULATED CEILING LINERS




Ceiling Liners finish an interior protection package by creating a complete sound-deadening and thermal barrier. Without these there is no temperature control in cargo vans. Creating a finished professional appearance with the joining top sills also enhances your brand image, since the ceiling is highly visible from the exterior of the vehicle when doors are open.

- SOUND DEADENING
- IMPACT / PUNCTURE RESISTANT
- INCREASES RESALE VALUE
- PROTECTS INTERIOR
- THERMAL BARRIER
- JOINING TOP SILLS INCLUDED
- AVAILABLE IN WHITE AND GREY




CEILING LINER SPECIFICATIONS

VEHICLE MAKE	PART #	COLOUR	WEIGHT	INSTALL	RETAIL	
	Transit Connect (105") SWB	715-114-2613	Grey	18 lbs	30 mins	\$330.95
		715-114-2614	White	18 lbs	30 mins	\$330.95
Transit Connect (121") LWB	725-114-2613	Grey	18 lbs	30 mins	\$330.95	
	725-114-2614	White	18 lbs	30 mins	\$330.95	
Transit 130" WB Low Roof	735-114-2613.LR	Grey	28 lbs	45 mins	\$614.02	
	735-114-2614.LR	White	28 lbs	45 mins	\$614.02	
Transit 130" WB Mid Roof	735-114-2613.MR	Grey	30 lbs	45 mins	\$614.02	
	735-114-2614.MR	White	30 lbs	45 mins	\$614.02	
Transit 148" WB Low Roof	745-114-2613.LR	Grey	32 lbs	45 mins	\$695.41	
	745-114-2614.LR	White	32 lbs	45 mins	\$695.41	
Transit 148" WB Mid Roof	745-114-2613.MR	Grey	36 lbs	45 mins	\$695.41	
	745-114-2614.MR	White	36 lbs	45 mins	\$695.41	
Transit 148" WB High Roof	745-114-2613.HR	Grey	38 lbs	45 mins	\$695.41	
	745-114-2614.HR	White	38 lbs	45 mins	\$695.41	
Transit 148" Extended WB	755-114-2613	Grey	44 lbs	60 mins	\$787.41	
	755-114-2614	White	44 lbs	60 mins	\$787.64	



Mercedes-Benz

Mercedes Metris (126") RWB	155-114-2613	Grey	18 lbs	30 mins	\$614.77
	155-114-2614	White	18 lbs	30 mins	\$614.77
Mercedes Metris (135") EWB	115-114-2613	Grey	20 lbs	30 mins	\$614.77
	115-114-2614	White	20 lbs	30 mins	\$614.77
Sprinter 144" WB Low Roof	125-114-2613.LR	Grey	25 lbs	45 mins	\$749.90
	125-114-2614.LR	White	25 lbs	45 mins	\$749.90
Sprinter 144" WB High Roof	125-114-2613.HR	Grey	25 lbs	45 mins	\$749.90
	125-114-2614.HR	White	25 lbs	45 mins	\$749.90
Sprinter 170" WB	135-114-2613	Grey	28 lbs	60 mins	\$1,148.87
	135-114-2614	White	28 lbs	60 mins	\$1,148.87
Sprinter 170" Extended WB	145-114-2613	Grey	30 lbs	60 mins	\$1,201.77
	145-114-2614	White	30 lbs	60 mins	\$1,201.77

VEHICLE MAKE	PART #	COLOUR	WEIGHT	INSTALL	RETAIL	
	Promaster City (122" WB)	675-114-2613	Grey	25 lbs	30 mins	\$303.30
		675-114-2614	White	25 lbs	30 mins	\$303.30
Promaster 118" WB	625-114-2613	Grey	30 lbs	45 mins	\$605.97	
	625-114-2614	White	30 lbs	45 mins	\$605.97	
Promaster 136" WB Low Roof	635-114-2613.LR	Grey	34 lbs	45 mins	\$614.76	
	635-114-2614.LR	White	34 lbs	45 mins	\$614.76	
Promaster 136" WB High Roof	635-114-2613.HR	Grey	36 lbs	45 mins	\$614.76	
	635-114-2614.HR	White	36 lbs	45 mins	\$614.76	
Promaster 159" WB	645-114-2613	Grey	38 lbs	60 mins	\$814.63	
	645-114-2614	White	38 lbs	60 mins	\$814.63	
Promaster 159" Extended WB	655-114-2613	Grey	42 lbs	60 mins	\$1,086.27	
	655-114-2614	White	42 lbs	60 mins	\$1,086.27	



NV 200 (115" WB)	535-114-2613	Grey	15	30 mins	\$314.77
	535-114-2614	White	15	30 mins	\$314.77
NV Cargo (140" WB) Low Roof	515-114-2613	Grey	25	45 mins	\$641.38
	515-114-2614	White	25	45 mins	\$641.38
NV Cargo (140" WB) High Roof	525-114-2613	Grey	30	60 mins	\$641.38
	525-114-2614	White	30	60 mins	\$641.38

Additional Product Extensions

- .2 dual sliding doors
- .3 barn doors

CEILING LINER SPECIFICATIONS

VEHICLE MAKE	PART #	COLOUR	WEIGHT	INSTALL	RETAIL
--------------	--------	--------	--------	---------	--------



Chevy City Express (115") WB	535-114-2613	Grey	15 lbs	30 mins	\$314.77
	535-114-2614	White	15 lbs	30 mins	\$314.77
GMC Regular (135") WB	315-114-2613	Grey	25 lbs	45 mins	\$614.77
	315-114-2614	White	25 lbs	45 mins	\$614.77
GMC Extended (155") WB	325-114-2613	Grey	30 lbs	60 mins	\$695.41
	325-114-2614	Grey	30 lbs	60 mins	\$695.41

Additional Product Extensions

- .2 dual sliding doors
- .3 barn doors

**TAKING UPFITS
TO THE NEXT LEVEL**

DURATHERM

INSULATED DOOR LINERS



Insulated DuraTherm Door Liners add extra protection, insulation and sound deadening in the vehicle. The door liners protect the sheet metal or the glass in the window cavities from moving objects inside the van that could cause potential damage such as dents or broken windows.

- SOUND DEADENING
- IMPACT / PUNCTURE RESISTANT
- INCREASES RESALE VALUE
- PROTECTS VAN PANELS FROM DAMAGE
- THERMAL BARRIER
- AVAILABLE IN WHITE AND GREY



DOOR LINER SPECIFICATIONS

VEHICLE MAKE PART # COLOUR WEIGHT INSTALL RETAIL



Transit Connect (105") SWB	713-114-2613	Grey	10 lbs	15 mins	\$158.98
	713-114-2614	White	10 lbs	15 mins	\$158.98
Transit Connect (121") LWB	723-114-2613	Grey	10 lbs	15 mins	\$158.98
	723-114-2614	White	10 lbs	15 mins	\$158.98
Transit Low Roof	703-114-2613.LR	Grey	10 lbs	15 mins	\$317.97
	703-114-2614.LR	White	10 lbs	15 mins	\$317.97
Transit Mid Roof	703-114-2613.MR	Grey	12 lbs	15 mins	\$317.97
	703-114-2614.MR	White	12 lbs	15 mins	\$317.97
Transit High Roof	703-114-2613.HR	Grey	12 lbs	15 mins	\$317.97
	703-114-2614.HR	White	12 lbs	15 mins	\$317.97

* if dual door option (.2) is selected add the following from retail wall liner price:
\$158.99 for Transit \$79.49 for Transit Connect



Mercedes-Benz

Mercedes Metris (126") RWB	153-114-2613	Grey	8 lbs	15 mins	\$317.97
	153-114-2614	White	8 lbs	15 mins	\$317.97
Mercedes Metris (135") EWB	113-114-2613	Grey	8 lbs	15 mins	\$317.97
	113-114-2614	White	8 lbs	15 mins	\$317.97
Sprinter Low Roof	103-114-2613.LR	Grey	10 lbs	15 mins	\$317.97
	103-114-2614.LR	White	10 lbs	15 mins	\$317.97
Sprinter High Roof	103-114-2613.HR	Grey	12 lbs	15 mins	\$317.97
	103-114-2614.HR	White	12 lbs	15 mins	\$317.97

* if dual door option (.2) is selected add \$158.99 from retail wall liner price.



Chevy City Express (115") WB	363-114-2613	Grey	10 lbs	15 mins	\$317.97
	363-114-2614	White	10 lbs	15 mins	\$317.97
GMC Savana RWB & EWB	303-114-2613	Grey	10 lbs	15 mins	\$317.97
	303-114-2614	White	10 lbs	15 mins	\$317.97

* if dual door option (.2) is selected add \$79.49 from retail wall liner price.

VEHICLE MAKE PART # COLOUR WEIGHT INSTALL RETAIL



Promaster City (122" WB)	673-114-2613	Grey	8 lbs	15 mins	\$158.98
	673-114-2614	White	8 lbs	15 mins	\$158.98
Promaster 118" WB	623-114-2613	Grey	10 lbs	15 mins	\$317.97
	623-114-2614	White	10 lbs	15 mins	\$317.97
Promaster Low Roof	603-114-2613.LR	Grey	10 lbs	15 mins	\$317.97
	603-114-2614.LR	White	10 lbs	15 mins	\$317.97
Promaster High Roof	603-114-2613.HR	Grey	12 lbs	15 mins	\$317.97
	603-114-2614.HR	White	12 lbs	15 mins	\$317.97

* if dual door option (.2) is selected add the following from retail wall liner price:
\$158.99 for Promaster \$79.49 for Promaster City



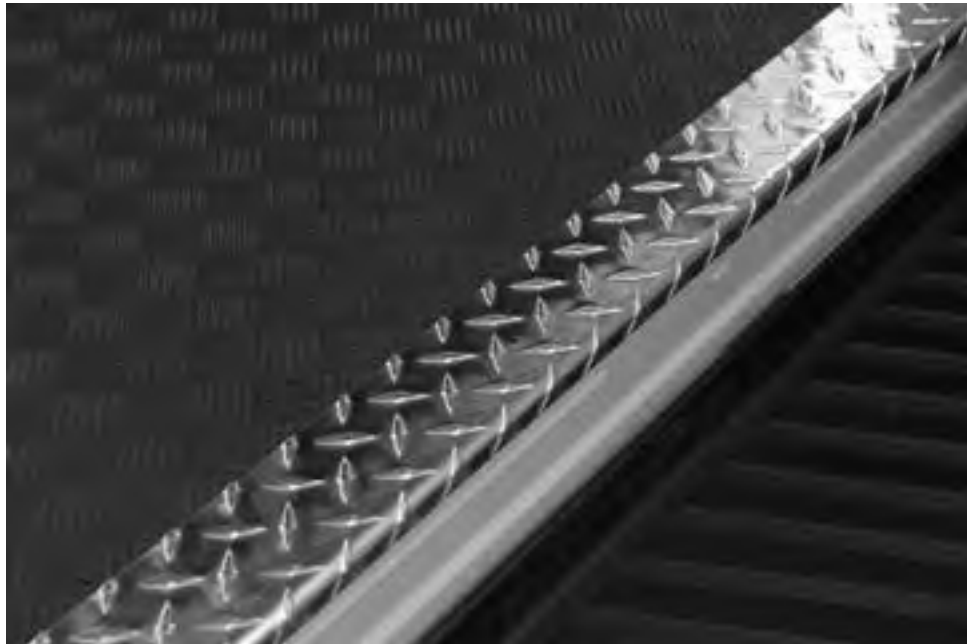
NV 200 (115" WB)	533-114-2613	Grey	10 lbs	15 mins	\$158.98
	533-114-2614	White	10 lbs	15 mins	\$158.98
NV Cargo (140" WB) Low Roof	513-114-2613	Grey	10 lbs	15 mins	\$317.97
	513-114-2614	White	10 lbs	15 mins	\$317.97
NV Cargo (140" WB) High Roof	523-114-2613	Grey	12 lbs	15 mins	\$317.97
	523-114-2614	White	12 lbs	15 mins	\$317.97

* if dual door option (.2) is selected add \$79.49 to retail door liner price.

Additional Product Extensions

- .2 dual sliding doors
- .3 side barn doors

ALUMINIUM SIDE AND REAR SILL SET



Side and rear sills are used to protect the floor at the side and rear entrance to the cargo van where traffic is the highest. Made from high-grade aluminum, these sills are good for any application, especially when loading with a forklift. A raised finish also ensures excellent grip.

- MAXIMIZE PROTECTION FOR HIGHEST TRAFFIC AREAS
- ALUMINIUM CHECKER PLATE FOR HIGH GRIP/WEAR
- CUSTOM CUT AND FORMED EDGE PROTECTION
- PROFESSIONAL FINISH
- SOLD AS SET (REAR AND SIDE)



SILL PLATES SPECIFICATIONS

VEHICLE MAKE PART # WEIGHT INSTALL RETAIL



Transit Connect (105") SWB	719-151-1010 Side and Rear Sill Set	4 lbs	15 mins	\$113.30
Transit Connect (121") LWB	729-151-1010 Side Sill and Rear Sill Set	4 lbs	15 mins	\$113.30
Transit	709-151-1010 Side Sill and Rear Sill Set	6 lbs	10 mins	\$204.82
	709-151-1010.2 Dual Door Sill Set	9 lbs	15 mins	\$315.14



Mercedes-Benz

Mercedes Metris Sill Set	159-151-1010 Side and Rear Sill Set	6 lbs	10 mins	\$100.70
	159-151-1010.2 Dual Door Sill Set	9 lbs	15 mins	\$153.43
Mercedes Sprinter Sill Set	109-151-1010 Side and Rear Sill Set	6 lbs	10 mins	\$100.70
	109-151-1010.2 Dual Door Sill Set	9 lbs	15 mins	\$153.43



Promaster City (122" WB)	679-151-1010 Side and Rear Sill Set	13 lbs	23 mins	\$124.83
Promaster 118" WB	629-151-1010 Side and Rear Sill Set	4 lbs	10 mins	\$100.70
	629-151-1010.2 Dual Door Sill Set	6 lbs	15 mins	\$153.43
Promaster	609-151-1010 Side and Rear Sill Set	4 lbs	10 mins	\$100.70
	609-151-1010.2 Dual Door Sill Set	6 lbs	15 mins	\$153.43

VEHICLE MAKE PART # WEIGHT INSTALL RETAIL

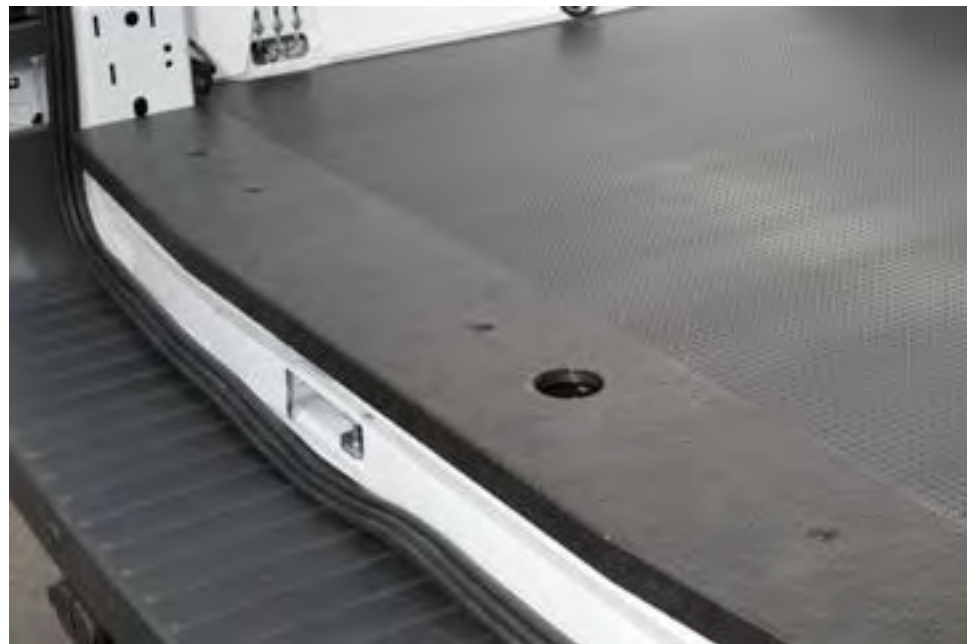


Chevy City Express (115") WB	369-151-1010 Side and Rear Sill Set	4 lbs	18 mins	\$118.8
GMC Savana RWB & EWB	309-151-1010 Side and Rear Sill Set	5 lbs	10 mins	\$169.72




NV 200 (115" WB)	539-151-1010 Side and Rear Sill Set	4 lbs	20 mins	\$118.80
NV Cargo LR & HR	009-151-1010 Side and Rear Sill Set	4 lbs	10 mins	\$100.70

BLACK STEEL SIDE AND REAR THRESHOLDS




Transit doorway thresholds are made from 14 gauge steel with a special vacuumized coating that is both sturdy and non-slip. These are more durable than the standard factory fitted thresholds, helping to protect the entrance of Ford Transits.

- MAXIMIZED PROTECTION FOR HIGHEST TRAFFIC AREAS
- POWDER-COATED STEEL FOR HIGH GRIP/WEAR
- HEAVY DUTY, EXTREMELY DURABLE
- CUSTOM CUT AND FORMED EDGE PROTECTION
- PROFESSIONAL FINISH

VEHICLE MAKE	PART #	WEIGHT	INSTALL	RETAIL
				
Transit Side Threshold - Black	706-151-1011	7 lbs	10 mins	\$140.00
Transit Dual Side Threshold Set - Black	706-151-1011.2	14 lbs	20 mins	\$280.00
Transit Rear Threshold - Black	708-151-1011	5 lbs	10 mins	\$100.00



VEHICLE MAKE	PART #	WEIGHT	INSTALL	RETAIL
				
Transit Side Threshold - Yellow	706-151-1018	10 lbs	10 mins	\$155.80
Transit Dual Threshold Set - Yellow	706-151-1018.2	14 lbs	20 mins	\$311.60
Transit Rear Sill - Yellow	708-151-1018	8 lbs	10 mins	\$125.50

CUSTOMIZE YOUR FLEET NEEDS

- Increase Vehicle Resale Value
Highly durable products protect van panels from costly dents and damage and extend vehicle life
- Optimize Operator Productivity
Enables ease of loading and operating conditions for technicians, reduce road noise
- Create Safe Mobile Workspaces
Flat, anti-slip surfaces minimize trips and slips
- Improve Professional Appearance
Clean, organized upfits enhance brand image
- Proven Products in Field
Fleets of 20,000+ cargo vans using Legend products
- Extensive Product Access
Large network of upfitters across North America
- Fast Quoting, Spec'ing Options

FLEETS WE'VE
WORKED WITH



**EXPERTS IN FLEET
PROTECTION**

