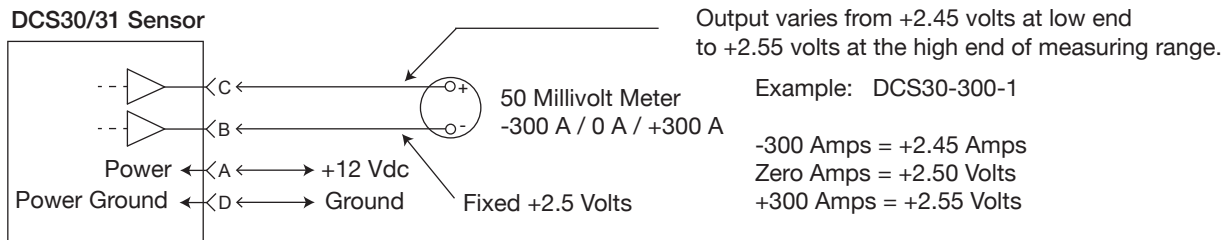


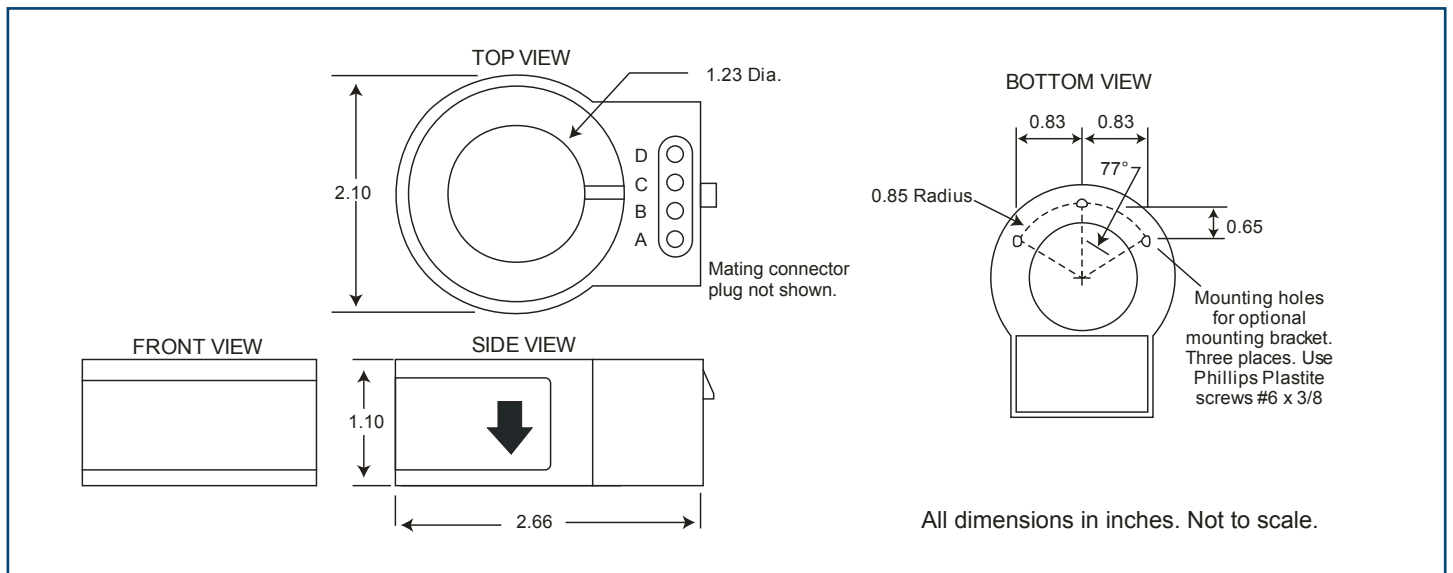
Specifications

Sensor Type:	Open loop Hall-effect			
Linearity:	1.5%			
Supply Voltage Range:	+7 to + 20 Vdc			
Current Consumption:	8.1 milliamps maximum			
Output:	Models DCS30-XXX-1	±50 millivolts		
	Models DCS30-XXX-2	±100 millivolts		
	Note - Meter internal resistance must be 20 ohms or greater.			
Operating Temperature:	-40° C to +125° C			
Storage Temperature:	-40° C to +125° C			
Aperture Size:	1.23 inches			
Weight:	0.30 lbs			
Connector System:	Packard Sealed Metri-Pak 150. Note - Mating plug not supplied with sensor. (See InPower Technical Bulletin TB-31 for details and purchasing source).			
Connector Interface:	Pin A	+ Vdc Supply	Pin C	Ground (Signal Return)
	Pin B	Output	Pin D	Ground (Power Return)
Sensor Wiring:				

Floating Differential Output



Mechanical Drawing

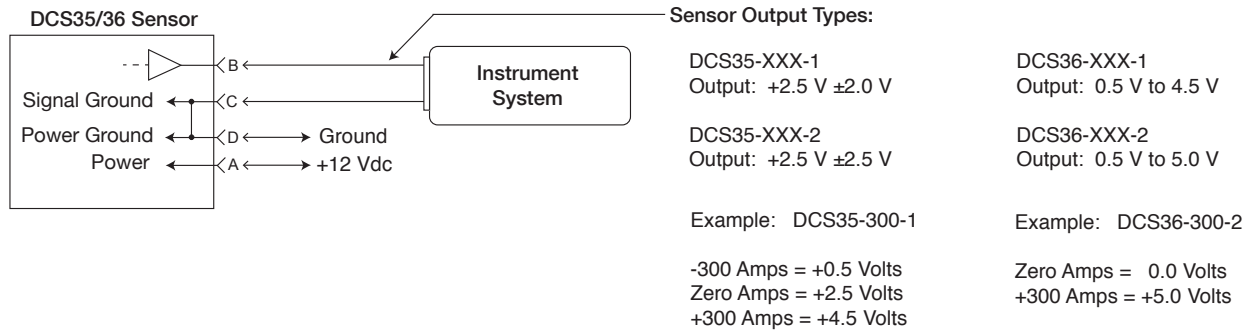


DCS35/36 Series

100 to 600 Amp DC Current Sensors

Specifications

Sensor Type:	Open loop Hall-effect			
Linearity:	1.5%			
Supply Voltage Range:	+7 to + 20 Vdc			
Current Consumption:	8.1 milliamps maximum			
Output:	See Model Chart on other side			
Operating Temperature:	-40° C to +125° C			
Storage Temperature:	-40° C to +125° C			
Aperture Size:	1.23 inches			
Weight:	0.30 lbs			
Connector System:	Packard Sealed Metri-Pak 150. Note - Mating plug not supplied with sensor. (See InPower Technical Bulletin TB-31 for details and purchasing source).			
Connector Interface:	Pin A	+ Vdc Supply	Pin C	Ground (Signal Return)
Sensor Wiring:	Pin B	Output	Pin D	Ground (Power Return)



Mechanical Drawing

