

Commander™ Series | Area Lighting

Features

- Generates up to 28K lumens of super bright white light
- Available in 12/24VDC, 120VAC, or 240VAC
- Regardless of power source — same high-powered light output
- Slimmest LED lamp head profile in the industry
- Innovative cooling fins provide higher efficiency and more light
- Advanced lens and arrangement of LEDs generate a uniform flood and spot combination light pattern
- Instant-on at full intensity
- White bezel standard, chrome or Black bezel is optional (select models)
- Five-year LED warranty

Applications

- Construction
- Material handling
- Tow & Recovery
- Utility

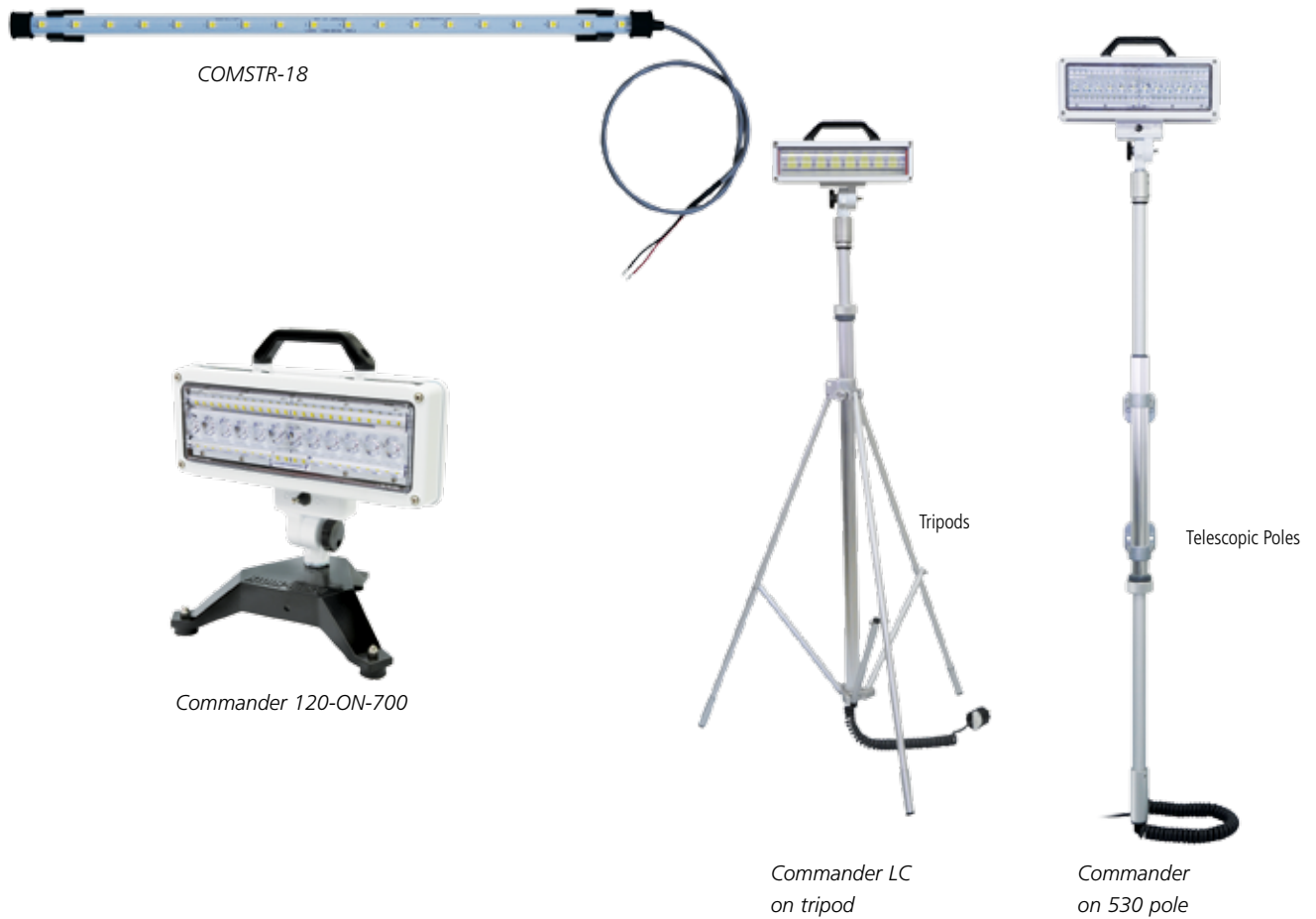


Model	Description
Commander, 20K Lumens, 120VAC	
COM120	Spot/flood LED lighthouse
COM120-260	Low profile surface mount lighthouse, chrome bezel
COM120-800	Contour brow mount
COM120-ON-530	On/off switch, side mount bottom-raise pole, 2.75" offset brackets
COM120-ON-530SW	On/off switch, side mount bottom-raise pole, 2.75" offset brackets, raised pole indicator
COM120-ON-540SW	On/off switch, side mount top-raise pole, 2.75" offset brackets, raised pole indicator
COM120-ON-600-603	On/off switch, tri-pod and quick release bracket
COM120-ON-700	On/off switch, portable mount
Commander, 20K Lumens, 12/24VDC	
COM20K	Spot/flood LED lighthouse
COM20K-530SW	Side mount bottom-raise pole, 2.75" offset brackets, raised pole indicator
COM20K-800	Brow mount
COM20K-ON	On/off switch
COM20K-ON-530SW	On/off switch, side mount bottom-raise pole, 2.75" offset brackets, raised pole indicator
COM20K-ON-540TW	On/off switch, side mount pull-up, 2.75" offset brackets, top wire exit
Commander, 15K Lumens, 12/24VDC	
COM15K	Spot/flood LED lighthouse
COM15K-260	Low profile surface mount lighthouse, chrome bezel
COM15K-530	Side mount bottom-raise pole, 2.75" offset brackets
COM15K-530SW	Side mount bottom-raise pole, 2.75" offset brackets, raised pole indicator
COM15K-540	Side mount pull-up, 2.75" offset brackets
COM15K-540SW	Side mount top-raise pole, 2.75" offset brackets, raised pole indicator
COM15K-800	Brow mount
Commander, 7K Lumens, 12/24VDC	
COM7K-900	Surface mount lighthouse
Commander LC, 11K Lumens, 12/24VDC	
COMLC11K	Flood LED lighthouse
COMLC11K-530-H	Side mount bottom-raise pole, 3.5" offset brackets
COMLC11K-540-H	Side mount pull-up pole, 3.5" offset brackets

Continued on next page

COMLC11K-540-TW	Side mount pull-up pole, 3.5" offset brackets, top wire exit
COMLC11K-570-ON	Fixed top mount, on/off switch
COMLC11K-850	Flat mount
Commander LC, 20K Lumens, 12/24VDC	
COMLC20K	Flood LED lamphead
COMLC20K-530SW-H	Side mount bottom-raise pole, 3.5" offset brackets, raised pole indicator
COMLC20K-540TW-H	Side mount pull-up pole, 3.5" offset brackets, top wire exit
COMLC20K-570	Fixed top mount
Commander M, 14K Lumens, 120VAC	
COMMS-120	Spot/flood LED lighthouse
COMMS-120-570	Fixed top mount
COMMS-120-ON-530	On/off switch, side mount bottom-raise pole, 2.75" offset brackets
Commander M, 14K Lumens, 240VAC	
COMMS-240	Spot/flood LED lighthouse
COMMS-240-570	Fixed top mount
COMMS-240-ON-530	On/off switch, side mount bottom-raise pole, 2.75" offset brackets
Commander M, 14K Lumens, 12/24VDC	
COMMS-DC	Spot/flood LED lighthouse
COMMS-DC-570	Fixed top mount
COMMS-DC-ON-530	On/off switch, side mount bottom-raise pole, 2.75" offset brackets
Commander Plus, 28K Lumens, 120VAC	
COMX-120	Spot/flood LED lighthouse
COMX-120-570	Fixed top mount
COMX-120-ON-530	On/off switch, side mount bottom-raise pole, 2.75" offset brackets
Commander Plus, 28K Lumens, 240VAC	
COMX-240	Spot/flood LED lighthouse
COMX-240-570	Fixed top mount
COMX-240-ON-530	On/off switch, side mount bottom-raise pole, 2.75" offset brackets
Commander Plus, 28K Lumens, 12/24VDC	
COMX-DC	Spot/flood LED lighthouse
COMX-DC-530	Side mount bottom-raise pole, 2.75" offset brackets
COMX-DC-570	Fixed top mount
COMX-DC-ON-530	On/off switch, side mount bottom-raise pole, 2.75" offset brackets
Commander Plus-S, 28K Lumens, 120VAC	
COMX-S-120	Spot/flood LED lighthouse
COMX-S-120-570	Fixed top mount
COMX-S-120-ON-530	On/off switch, side mount bottom-raise pole, 2.75" offset brackets
Commander Plus-S, 28K Lumens, 240VAC	
COMX-S-240	Spot/flood LED lighthouse
COMX-S-240-ON-530	On/off switch, side mount bottom-raise pole, 2.75" offset brackets
Commander Plus-S, 28K Lumens, 12/24VDC	
COMX-S-DC	Spot/flood LED lighthouse
COMX-S-DC-ON-530	On/off switch, side mount bottom-raise pole, 2.75" offset brackets

Commander SB, 7K Lumens, 12/24VDC	
COMSB-FLD-CD	Flood lens, white housing, Collins mount
COMSB-FLD-CD-BLA	Flood lens, black housing, Collins mount
COMSB-FLD-YM	Flood lens, white housing, yoke mount
COMSB-FLD-YM-BLA	Flood lens, black housing, yolk mount
COMSB-TRP-CD	Trapezoid lens, white housing, Collins mount
COMSB-TRP-CD-BLA	Trapezoid lens, black housing, Collins mount
COMSB-TRP-YM	Trapezoid lens, white housing, yoke mount
COMSB-TRP-YM-BLA	Trapezoid lens, black housing, yoke mount
Commander Strip Lighting	
COMSTR-9	9", Compartment light strip, LED
COMSTR-18	18", Compartment light strip, LED
COMSTR-27	27", Compartment light strip, LED
COMSTR-36	36", Compartment light strip, LED
COMSTR-45	45", Compartment light strip, LED
COMSTR-54	54", Compartment light strip, LED
COMSTR-63	63", Compartment light strip, LED
FireFly Compartment Light, 650 Lumens	
COMFF100	Focused Lens, DC, Surface Mount
COMFF110	Flood Lens, DC, Surface Mount



Commander™ Series 750 and 1200 Work Lights

Area Lighting

Features

- High-powered LED work light
- 1200 or 750 lumen models
- Effective flood light solution
- Adjustable vertical and horizontal mounts
- Vibration resistant construction
- Stainless steel hardware kit and u-bracket included
- 12/24 VDC
- Three-year LED warranty

Applications

- Tractors
- Tow & Recovery
- Off-road vehicles
- Pick-up trucks
- Recreational vehicles



COM1200-RND



COM1200-SQ



COM750-RND



COM750-SQ

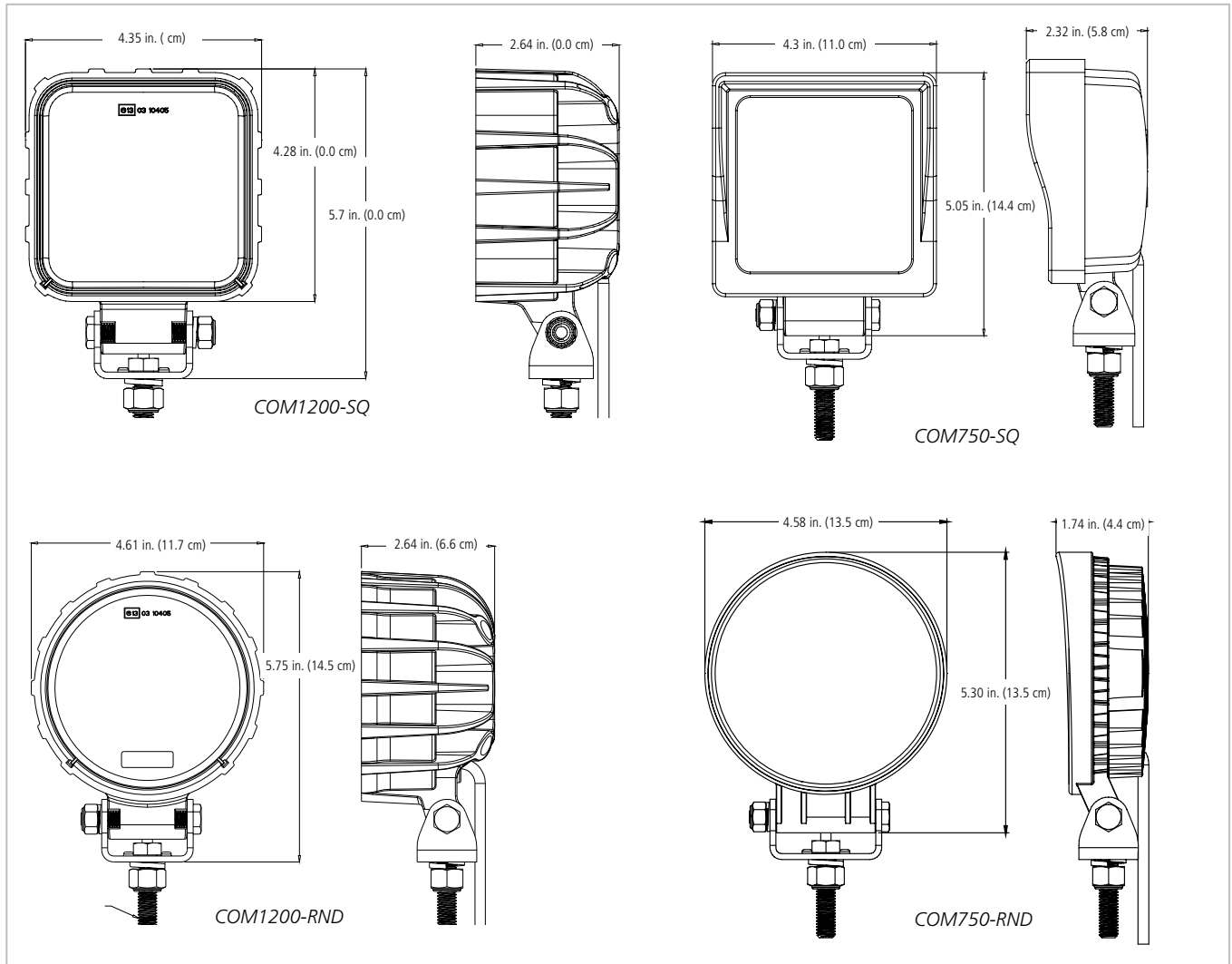
Model	Description
COM1200-RND	1200 Lumen, Round
COM1200-SQ	1200 Lumen, Square
COM750-RND	750 Lumen, Round
COM750-SQ	750 Lumen, Square



COM1200-SQ

Commander™ 750 and 1200 Work Lights

Area Lighting



	COM1200-RND	COM1200-SQ	COM750-RND	COM750-SQ
Specifications				
Amp Draw	2 Amps @ 12.8 VDC	2 Amps @ 12.8 VDC	1.25 Amps @ 12.8 VDC	1.25 Amps @ 12.8 VDC
Wattage Lamp	27 Watts	27 Watts	16.6 Watts	16.6 Watts
Physical Specifications				
Height	5.7 in (14.5 cm)	5.0 in (12.7 cm)	5.30 in (13.5 cm)	5.6 in (14.2 cm)
Diameter	4.6 in (11.7 cm)	4.3 in (11.0 cm)	4.58 in (11.7 cm)	4.3 in (11.0 cm)
Depth	2.6 in (6.6 cm)	2.3 in (5.8 cm)	1.74 in (4.4 cm)	2.4 in (6.1 cm)
Ship Weight				
	1.8 lbs (0.8 kg)	2.0 lbs (0.9 kg)	1.25 lbs (0.6 kg)	1.6 lbs (0.7 kg)

LED Scene Light | Area Lighting

Features

- Solaris® LED reflector technology
- Surface mount
- Industry standard mounting dimensions
- Five-year LED warranty

Applications

- Construction
- Municipal
- Tow & Recovery
- Utility



QL97LEDSCENE

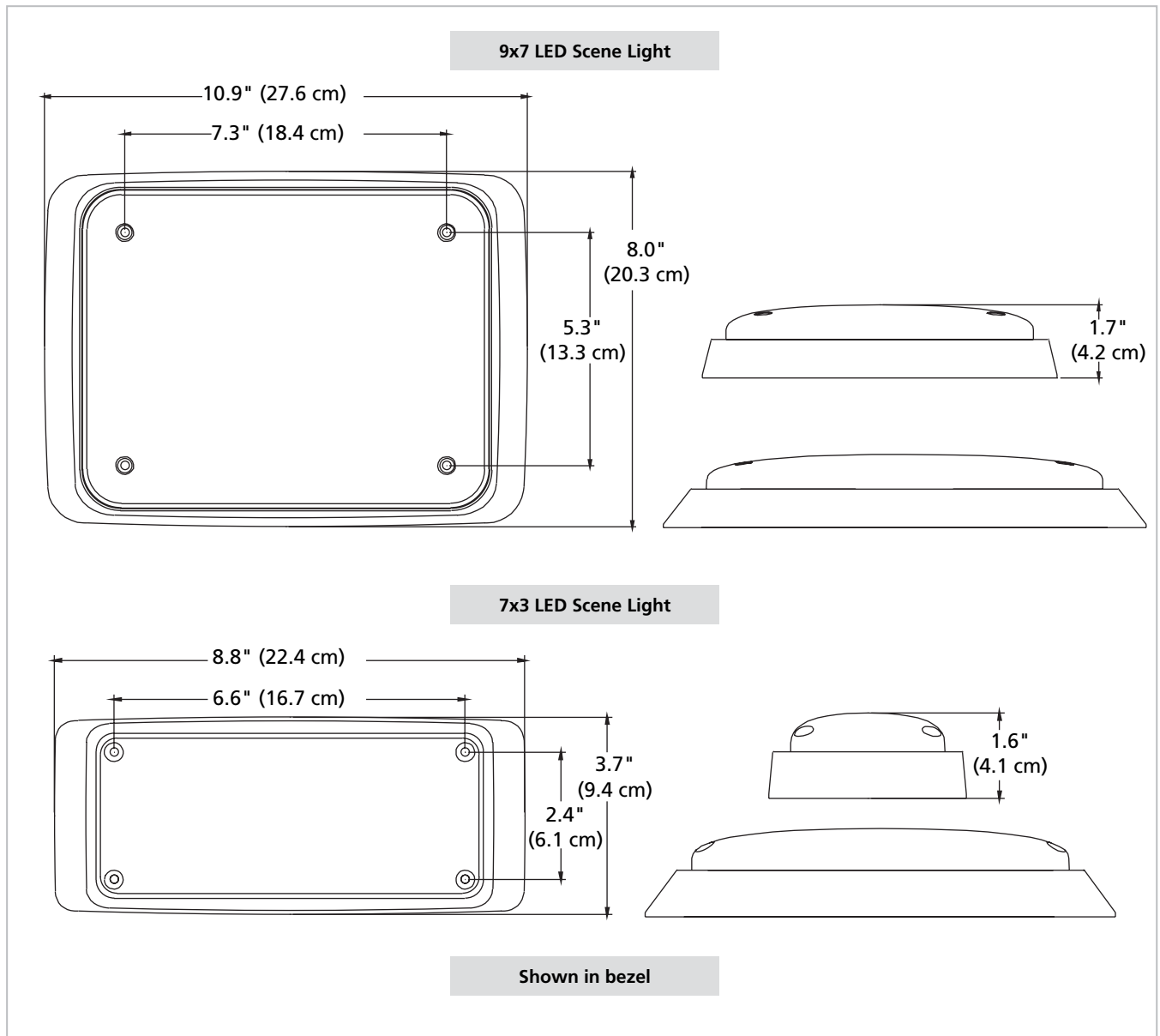


QL73LEDSCENE

(Shown with Chrome bezel option)



Model	Description
QL97LEDSCENE	Scene light, 9x7, LED
QL73LEDSCENE	Scene light, 7x3, LED
Accessories	
QL97MC	Trim bezel, Chrome with gasket
QL73MC	Trim bezel, Chrome with gasket
Common Replacement Parts	
Z8012062C-02	9x7 Lens, fluted, Clear
Z8012111A	Gasket, 9x7 base/lens, molded
Z8012081A	7x3 Bezel to surface gasket
Z7065073A	Screw, grommet



	QL97LEDCENE	QL73LEDCENE
Specifications		
Voltage	12.8 VDC	
Current Draw	4.0 Amps	3.5 Amps
Operating Temperature	-40° C to 65° C	
Physical Dimensions (W x H x D)		
	9.2 in x 7.2 in x 1.7 in (59.3 cm x 46.5 cm x 10.9 cm)	7.1 in x 3.3 in x 5.3 in (18.0 cm x 8.4 cm x 13.5 cm)
Ship Weight		
	3.2 lb (1.4 kg)	1.3 lb (0.6 kg)

Wireless VisiBeam® / VisiBeam® | Area Lighting

Features

- High-power spotlight for superior work area illumination
- Ergonomically designed wireless transmitter operates at over 100-ft (Wireless VisiBeam®)
- Up to four (4) transmitters programmable to operate one light (Wireless VisiBeam®)
- Graduated start for pinpoint light beam placement
- Continuous 360-degree horizontal and 140-degree vertical adjustment
- Three-year warranty

128

Approval

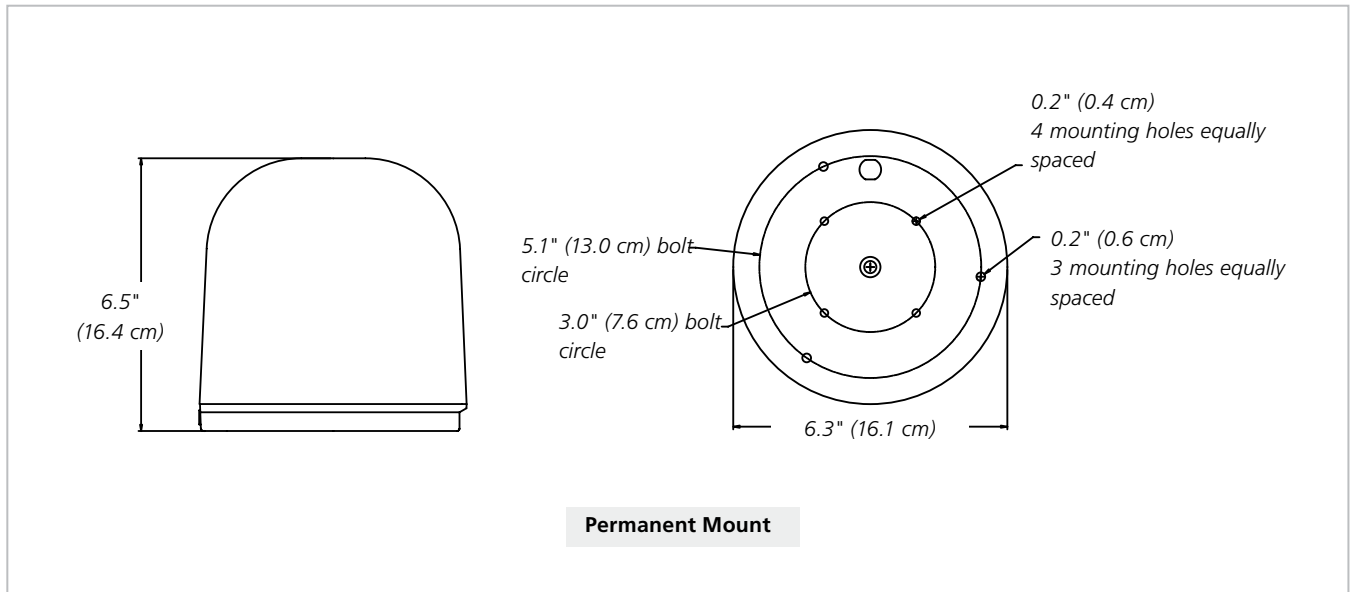
- FCC Approved

Applications

- Construction
- Municipal
- Tow & Recovery
- Utility



Model	Description
Wireless VisiBeam, 12 VDC, 100W, wireless controller	
620200	Permanent mount
620201	Magnetic mount with cigarette lighter plug
Wireless VisiBeam, 24 VDC, 65W, wireless controller	
620202	Permanent mount
VisiBeam II	
620102	55W, 12 VDC, adjustable spot light, permanent mount
620104	65W, 24 VDC, adjustable spot light, permanent mount
620122	100W, 12 VDC, adjustable spot light, permanent mount
620122-40	100W, 12 VDC, adjustable spot light, permanent mount, 40-ft cable
620142	100W, 12 VDC, adjustable spot light, magnetic mount with cord and cigarette plug
Common Replacement Parts	
620502	Bulb, 12 VDC, 100 W, for models 620122, 620142, 620200 and 620201
620504	Bulb, 24 VDC, 65 W, for models 620104 and 620202
620510	Bulb, 12 VDC, 55 W, for model 620102
448500-05	Dome, Clear
Z146903B	Cable assembly, 25-ft
Z8433039B	Remote control
Z8422B399A-01	Motor, 12 VDC
Z8422528A	Motor, 24 VDC
Z8433113A	Transmitter, wireless



Specifications	
Voltage	12/24 VDC
Amp Draw	7.8 Amps @ 12.8 VDC (100W)
	2.7 Amps @ 25.6 VDC (65W)
Candelas	90,000 (65W)
	125,000 (100W)
Operating Frequency	433.92 MHz
Dimensions	
Diameter	6.3 in (16.1 cm)
Height	6.5 in. (16.4 cm) — permanent mount
	6.9 in. (17.5 cm) — magnetic mount
Ship Weight	
	2.0 lbs (0.9 kg)



Wireless controller has a belt clip design for easy storage when not in use