

IMPAXX®6 / IMPAXX®3

Exterior Mount/Perimeter Lights

Features

- SpectraLux™ multicolor LED technology
- Solaris® LED reflector technology
- Fully-encapsulated waterproof housing
- Available in 6-LED or 12-LED
- (25) flash patterns
- LEDs offered in Amber, Blue, Green, Red and White
- Five-year LED warranty

80

Approvals

- IMPAXX6, SAE J595 Class 1
- IMPAXX6, CAC Title 13, Class B
- IMPAXX3, SAE J595 Class 2
- EMI and RFI approved

Applications

- Construction
- Municipal
- Tow & Recovery
- Utility



IPX600B-A

IPX300-2

CLASS 1

CLASS 2 (IPX3)

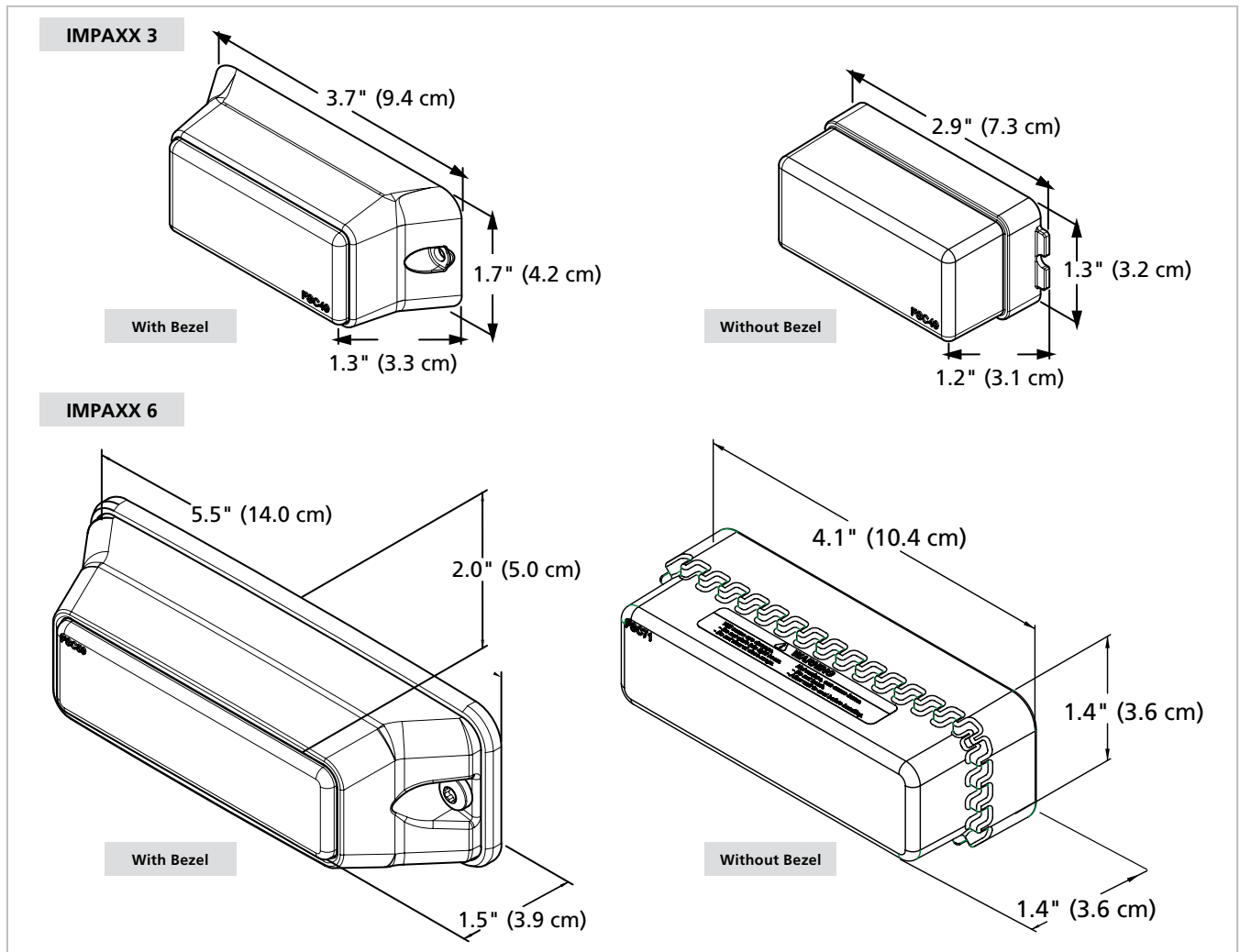
CAC Title 13 (IPX6)

SOLARIS

Model	Description
IMPAXX 6	
Single color, Clear off-axis lens, horizontal mount	
IPX600B-A	(6) LEDs Amber; -B(Blue); -G(Green); -R(Red); -W(White)
Dual color, Clear off-axis lens, horizontal mount	
IPX620B-BA	(12) LEDs Blue/Amber
IPX620B-BW	(12) LEDs Blue/White
IPX620B-RA	(12) LEDs Red/Amber
IPX620B-WA	(12) LEDs White/Amber
IMPAXX 3	
Clear lens, off-axis lens	
IPX300-2	(3) LEDs Amber; -3(Blue); -4(Red); -5(White); -6(Green)
Colored lens, off-axis lens	
IPX302-2	(3) LEDs Amber; -3(Blue); -4(Red); -6(Green)
Accessories or Kits	
IPX6M-1	Chrome bezel, for all IMPAXX 6 models
IPXM-1	Chrome bezel, all IMPAXX 3 models

NOTE

- See [page 82](#) for mounting options



	IPX3	IPX6
Specifications		
Voltage	12.8 VDC	12.8 VDC
Current Draw	0.7 Amp	1.0 Amp
Operating Temp.	-30° C to +65° C	-30° C to +80° C
Physical Specifications (with Bezel)		
Height	1.7 in (4.2 cm)	2.0 in (4.8 cm)
Length	3.7 in (9.4 cm)	5.5 in (14.0 cm)
Width	1.3 in (3.3 cm)	1.5 in (3.9 cm)
Physical Specifications (without Bezel)		
Height	1.3 in (3.2 cm)	1.4 in (3.6 cm)
Length	2.9 in (7.3 cm)	4.1 in (10.4 cm)
Width	1.2 in (3.1 cm)	1.4 in (3.6 cm)
Ship Weight		
	1.0 lb (0.45 kg)	1.0 lb (0.45 kg)

IMPAXX® Brackets



IPX-GRL1

Grille Bracket, IPX3/IPX6/VPX8, (1) grille bracket with hardware, vertical mount orientation



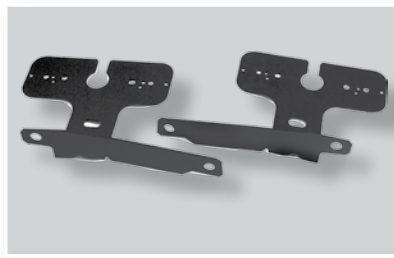
IPX-GRL2

Grille Bracket, IPX3/IPX6/VPX8, (1) grille bracket with hardware, horizontal mount orientation



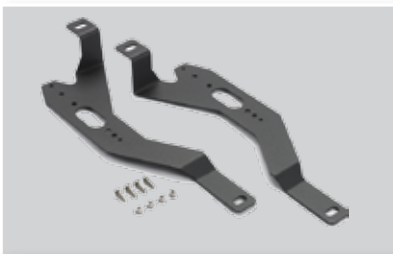
IPX-GRL4

Grille Bracket, IPX3-only, pair of grille brackets with each bracket holds (2) IPX3 light in a vertical orientation



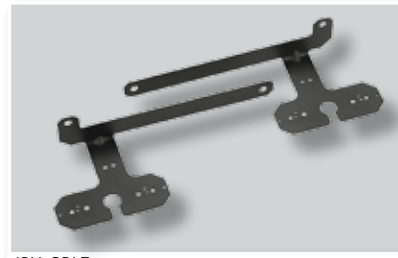
IPX-GRL5

Grille Bracket, IPX3/IPX6/VPX8/MPS300/MPS600, pair of grille brackets with hardware



IPX-GRL6

Grille Bracket, IPX3/IPX6/MPS300/MPS600, pair of grille brackets with hardware



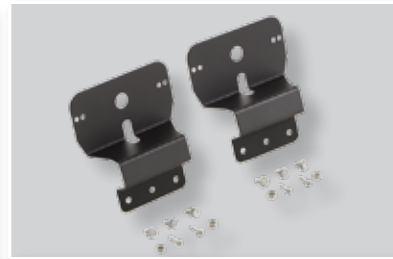
IPX-GRL7

Grille Bracket, IPX3/IPX6/MPS300/MPS600, pair of grille brackets with hardware

No Photo Available

IPX-GRL13

IPX3/IPX6/MPS3/MPS6/MPS12 grille bracket with hardware, horizontal mount, Chevy Traverse 2016-17



IPX-SW1

Rear Side Window Bracket, IPX3/VPX8, pair of rear side window mount brackets



VPX-SW

Rear Side Window Bracket, VPX8, pair of rear side window mount brackets, each bracket hold (2) Viper EXT lights



IPX-RDW2

Rear Side Window Bracket, IPX3/IPX6/VPX8, pair of rear side window mount brackets and covers, each bracket holds (2) IMPAXX or Viper EXT lights



IPX-ROW1

Rear Side Window Bracket, IPX3/IPX6, pair of rear side "Opera" window mount brackets



IPX-RSW1

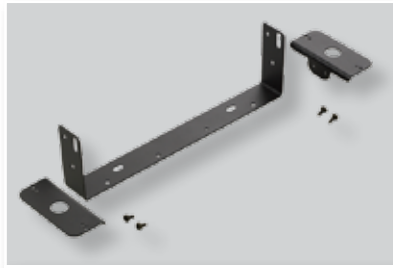
Rear Side Window Bracket, IPX3/IPX6/VPX8, pair of rear side window mount brackets and covers

IMPAXX® Brackets



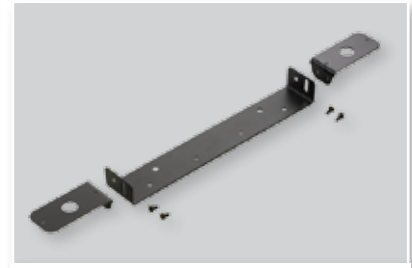
IPX-RSW2

Rear Side Window Bracket, IPX3/IPX6/VPX8, pair of rear side window mount brackets and covers



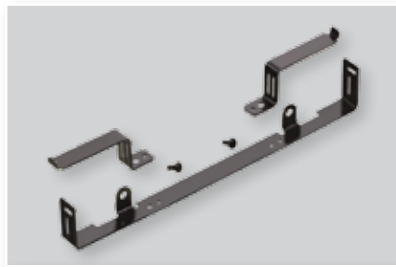
IPX-LPVX1

License Plate Bracket, IPX3/IPX6/VPX8, extended license plate bracket for vehicles with a recessed license plate mount location



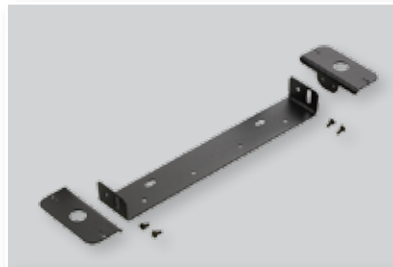
IPX-LPH1

License Plate Bracket, IPX3/IPX6/VPX8, generic high side license plate holder with horizontal mount tab on each side, fits most vehicles



IPX-LPF1

License Plate Bracket, IPX3 only, generic low side license plate holder for horizontal IMPAXX install, most vehicles



IPX-LPV1

License Plate Bracket, IPX3/IPX6/VPX8, flat surface license plate mount, various vehicles without recessed plate mounting locations



IPX-PB45H

Push Bumper Bracket, IPX3/IPX6/VPX8, pair of 45-degree slanted push bumper mounts with hardware, horizontal light orientation, fits most push bumpers



IPX-PB45V

Push Bumper Bracket, IPX3/IPX6/VPX8, pair of 45-degree slanted push bumper mounts with hardware, vertical light orientation, fits most push bumpers



IPX-PBL1

Universal Mount Bracket, IPX3/IPX6/VPX8, pair, universal "L" bracket, horizontal orientation

MicroPulse™ Wide Angle | Exterior Mount/Perimeter Lights

Features

- Utilizes 9 LEDs; 180-degree light spread
- (12) flash patterns
- UV resistant polycarbonate lens
- Synchronizes with other MicroPulse products
- Black bezel included; optional bezel in chrome available
- Available in Amber, Blue, Red and White
- Three-year LED warranty

84

Approvals

- SAE J845, Class 1
- SAE J595, Class 1

Applications

- Construction
- Municipal
- Tow & Recovery
- Utility



MPSW9-A

CLASS 1

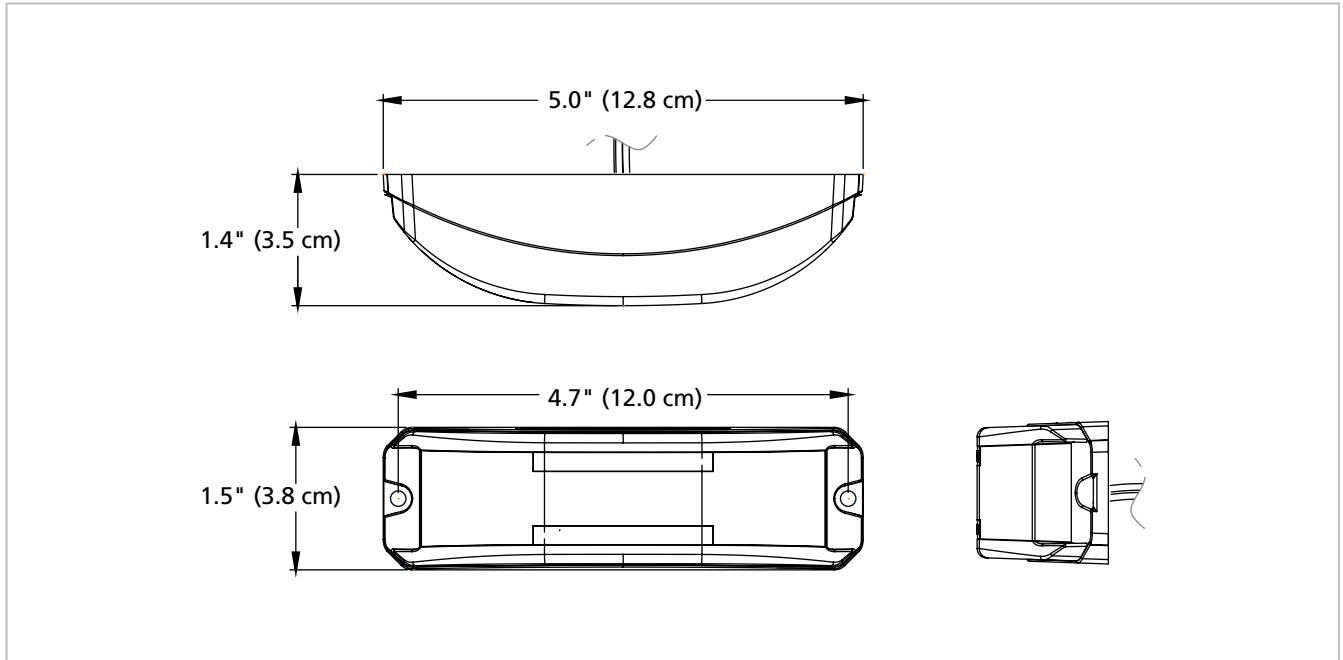
Model	Description
MicroPulse Wide Angle 9, Single Color	
MPSW9-A	9-LED lighthouse, Amber
MPSW9-B	9-LED lighthouse, Blue
MPSW9-R	9-LED lighthouse, Red
MPSW9-W	9-LED lighthouse, White
MicroPulse Wide Angle 9, Dual-Color	
MPSW9-AW	18-LED lighthouse, Amber/White
MPSW9-BA	18-LED lighthouse, Blue/Amber
MPSW9-BW	18-LED lighthouse, Blue/White
MPSW9-RA	18-LED lighthouse, Red/Amber
MPSW9-RB	18-LED lighthouse, Red/Blue
MPSW9-RW	18-LED lighthouse, Red/White
Accessories	
MPSMW9-1	Chrome bezel for (1) MPSW9
MPSMW9-3	Black bezel for (1) MPSW9
MPSMW9-LB	"L" bracket for (1) MPSW9
MPSMW9-SPACKIT	(4) 5-degree rubber mounting wedges for the use with MPSW9

NOTE

- Visit www.fedsig.com to view MicroPulse Wide Angle flash patterns



MPSW9-A show with optional Chrome bezel
(MPSMW9-1)



Specifications	
Voltage	12/24 VDC
Current Draw	0.58 Amp @ 12 VDC 0.28 Amp @ 24 VDC
Operating Temp.	-40° C to +80° C
Physical Specifications (L x H x D)	
Surface Mount	5.0 in x 1.5 in x 1.4 in (12.8 cm x 3.8 cm x 3.5 cm)
Ship Weight	
	0.5 lbs (0.23 kg)



MPSW9-A
Shown on PBX Series Push Bumper, model PBX06

MicroPulse™ Ultra

Exterior Mount/Perimeter Lights

Features

- Multiple mounting options for various applications
- Superior warning with (3), (6), or (12) high-powered LEDs
- Low-profile design offers wider range of mounting locations
- 18 (MPS3U), 23 (MPS6U), or 25 (MPS12U) selectable flash patterns
- Suitable for external and/or internal mounting applications
- Single/multi-unit synchronization
- Includes black bezel and gasket, optional bezels, available in Chrome or White
- Three-year LED warranty

Approvals

- SAE J845, J595 Class 1

Applications

- Construction
- Municipal
- Tow & Recovery
- Utility


CLASS 1

Model	Description
MicroPulse Ultra 3	
MPS300U-A	3-LED lighthead, Amber; -B(Blue); -R(Red); -W(White)
MicroPulse Ultra 6	
MPS600U-AA	6-LED lighthead, Amber/Amber
MPS600U-BA	6-LED lighthead, Blue/Amber
MPS600U-BB	6-LED lighthead, Blue/Blue
MPS600U-BR	6-LED lighthead, Blue/Red
MPS600U-GA	6-LED lighthead, Green/Amber
MPS600U-RA	6-LED lighthead, Red/Amber
MPS600U-RR	6-LED lighthead, Red/Red
MPS600U-RW	6-LED lighthead, Red/White
MPS600U-WA	6-LED lighthead, White/Amber
MPS600U-WW	6-LED lighthead, White/White
MicroPulse Ultra 12	
MPS1200U-AA	12-LED lighthead, Amber/Amber
MPS1200U-BA	12-LED lighthead, Blue/Amber
MPS1200U-BB	12-LED lighthead, Blue/Blue
MPS1200U-BR	12-LED lighthead, Blue/Red
MPS1200U-BW	12-LED lighthead, Blue/White
MPS1200U-RA	12-LED lighthead, Red/Amber
MPS1200U-RR	12-LED lighthead, Red/Red
MPS1200U-RW	12-LED lighthead, Red/White
MPS1200U-WA	12-LED lighthead, White/Amber
MPS1200U-WW	12-LED lighthead, White/White
Accessories	
MPSUM3-1	Chrome bezel for (1) MicroPulse Ultra 3
MPSUM3-2	White bezel for (1) MicroPulse Ultra 3
MPSUM6-1	Chrome bezel for (1) MicroPulse Ultra 6
MPSUM6-2	White bezel for (1) MicroPulse Ultra 6
MPSUM12-1	Chrome bezel for (1) MicroPulse Ultra 12
MPSUM12-2	White bezel for (1) MicroPulse Ultra 12

NOTES

- Visit www.fedsig.com to view MicroPulse Ultra flash patterns
- See [page 94](#) for mounting brackets

MicroPulse™ Ultra Dual | Exterior Mount/Perimeter Lights

Features

- Flash as a solid or dual color lighthouse
- Multiple mounting options for various applications
- Superior warning with (12) and (24) high-powered LEDs
- Low-profile design offers wider range of mounting options
- (18) selectable flash patterns
- Suitable for external and/or internal mounting applications
- Single/multi-unit synchronization
- Includes black bezel and gasket, optional bezels available in Chrome or White
- Three-year LED warranty

Approval

- SAE J845, J595 Class 1

Applications

- Construction
- Municipal
- Tow & Recovery
- Utility



MPS1220U-AW

MPS620U-WA

CLASS 1

Model	Description
MicroPulse Ultra 6, Dual-Color	
MPS620U-BA	12-LED lighthouse, (6) Blue/(6) Amber
MPS620U-BR	12-LED lighthouse, (6) Blue/(6) Red
MPS620U-BW	12-LED lighthouse, (6) Blue/(6) White
MPS620U-RA	12-LED lighthouse, (6) Red/(6) Amber
MPS620U-RW	12-LED lighthouse, (6) Red/(6) White
MPS620U-WA	12-LED lighthouse, (6) White/(6) Amber
MicroPulse Ultra 12, Dual-color	
MPS1220U-AW	24-LED lighthouse, (12) White/(12) Amber
MPS1220U-BA	24-LED lighthouse, (12) Blue/(12) Amber
MPS1220U-BR	24-LED lighthouse, (12) Blue/(12) Red
MPS1220U-BW	24-LED lighthouse, (12) Blue/(12) White
MPS1220U-RA	24-LED Lighthouse, (12) Red/(12) Amber
MPS1220U-RW	24-LED lighthouse, (12) Red/(12) White
Accessories	
MPSUM6-1	Chrome bezel for (1) MicroPulse Ultra 6
MPSUM6-2	White bezel for (1) MicroPulse Ultra 6
MPSUM12-1	Chrome bezel for (1) MicroPulse Ultra 12
MPSUM12-2	White bezel for (1) MicroPulse Ultra 12

NOTE

- See [page 94](#) for mounting brackets



MicroPulse Ultra is only 0.35" thick



MPS600U-AA



MPS300U-W and MPS1200U-WA
(Shown with optional white bezel)

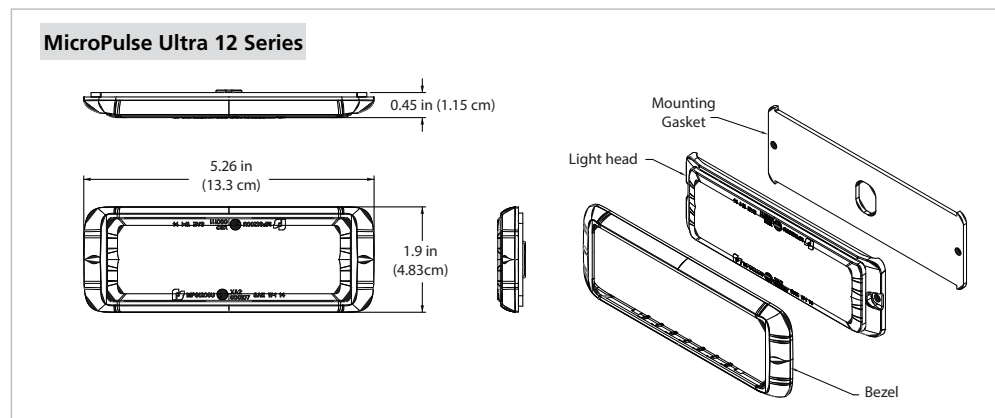
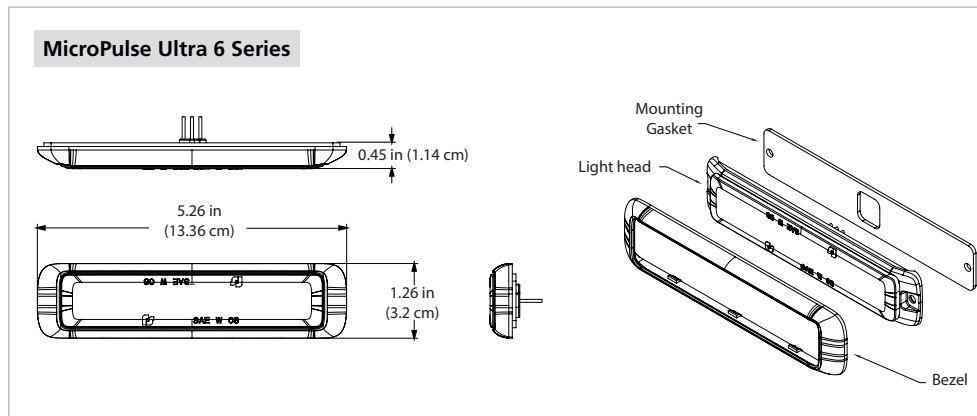
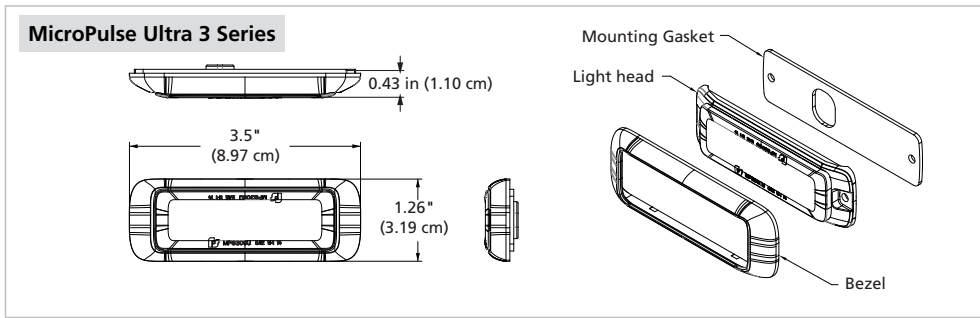


MPS600U-BA



MPS300U-A

	MPS300U	MPS600U	MPS1200U
Specifications			
Voltage	12/24 VDC		
Current Draw	0.2 Amps at 12 VDC	0.55 Amp @ 12 VDC	1.51 Amps @ 12 VDC
	0.11 Amps at 24 VDC	0.26 Amp @ 24 VDC	0.86 Amp @ 24 VDC
Operating Temp.	-40° C to +80° C		
Physical Specifications (L x H x D)			
Surface Mount	3.5 in x 1.26 in x 0.43 in (8.9 cm x 3.19 cm x 1.10 cm)	5.6 in x 1.26 in x 0.45 in (13.36 cm x 3.2 cm x 1.14 cm)	5.26 in x 1.9 in x 0.45 in (13.3 cm x 4.84 cm x 1.14 cm)
Ship Weight			
	0.5 lbs (0.23 kg)	0.75 lbs (0.34 kg)	1.0 lbs (0.45 kg)



	MPS620U	MPS1220U
Specifications		
Voltage	12/24 VDC	
Current Draw	0.79 Amp @ 12 VDC	1.51 Amps @ 12 VDC
	0.45 Amp @ 24 VDC	0.86 Amp @ 24 VDC
Operating Temp.	-40° C to +80° C	
Physical Specifications (L x H x D)		
Surface Mount	5.26 in x 1.26 in x 0.45 in (13.36 cm x 3.2 cm x 1.14 cm)	5.26 in x 1.9 in x 0.45 in (13.36 cm x 4.83 cm x 1.14 cm)
Ship Weight		
	0.75 lbs (0.34 kg)	1.0 lbs (0.45 kg)

MicroPulse™

Exterior Mount/Perimeter Lights

Features

- Multiple mounting options for various applications
- Superior warning with (3) or (6) high-powered LEDs
- Low-profile design offers wider range of mounting locations
- 12 (MPS3) or 19 (MPS6) selectable flash patterns
- Single/multi-unit synchronization
- Three-year LED warranty



MPS600-AA

CLASS 1 CLASS 2

Model	Description
MicroPulse 6	
Surface mount, 12/24 VDC, Clear lens	
MPS600-AA	6-LED lighthouse, Amber/Amber LEDs
MPS600-BB	6-LED lighthouse, Blue/Blue LEDs
MPS600-RB	6-LED lighthouse, Red/Blue LEDs
MPS600-RR	6-LED lighthouse, Red/Red LEDs
Hood/Grille mount, 12/24 VDC, Clear lens	
MPS650-AA	6-LED lighthouse, Amber/Amber LEDs
MPS650-AW	6-LED lighthouse, Amber/White LEDs
MPS650-BB	6-LED lighthouse, Blue/Blue LEDs
MPS650-RB	6-LED lighthouse, Red/Blue LEDs
MPS650-RR	6-LED lighthouse, Red/Red LEDs
MPS650-RW	6-LED lighthouse, Red/White LEDs
MPS650-WW	6-LED lighthouse, White/White LEDs
MPS650-BA	6-LED lighthouse, Blue/Amber LEDs
MPS650-BW	6-LED lighthouse, Blue/White LEDs
Hood/Grille mount, 12-24 VDC, Clear lens, Dual Color	
MPS652-BA	12-LED light head, Blue/Amber
MPS652-BR	12-LED light head, Blue/Red
MPS652-BW	12-LED light head, Blue/White
MPS652-RA	12-LED light head, Red/Amber
MPS652-RW	12-LED light head, Red/White
MPS652-WA	12-LED light head, White/Amber
MicroPulse 3	
Hood/Grille mount, 12/24 VDC	
MPS350-A	3-LED lighthouse, Amber, LEDs
MPS350-B	3-LED lighthouse, Blue, LEDs
MPS350-R	3-LED lighthouse, Red, LEDs
MPS350-W	3-LED lighthouse, White, LEDs

NOTE

- See next pages 94 for mounting brackets

Approvals

MicroPulse 6

- SAE J845, Class 1 (solid colors)
- SAE J595, Class 1 (solid colors)

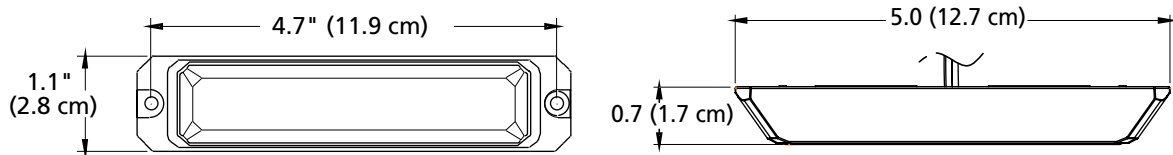
MicroPulse 3

- SAE J845, Class 1 (Red)
- SAE J595, Class 1 (Red)
- SAE J845, Class 2 (Amber)
- SAE J595, Class 2 (Amber, Blue and White)

Applications

- Construction
- Municipal
- Tow & Recovery
- Utility

MicroPulse 6



	MPS3	MPS6
Specifications		
Voltage	12/24 VDC	
Current Draw	0.2 Amp at 12 VDC	0.55 Amp at 12 VDC
	0.11 Amp at 24 VDC	0.26 Amp at 24 VDC
Operating Temp.	-40°C to +80°C	-40°C to +80°C
Physical Specifications (L x H x D)		
Hood Version	2.5 in x 1.1 in x 1.5 in (3.7 cm x 2.4 cm x 6.5 cm)	4.2 in x 0.94 in x 1.7 in (10.8 cm x 2.4 cm x 4.3 cm)
Surface Mount	N/A	5.0 in x 1.1 in x 0.68 in (12.7 cm x 2.8 cm x 1.7 cm)
Ship Weight		
	0.5 lbs (0.23 kg)	0.75 lbs (0.34 kg)



Hood/grille mount 6-LED



Hood/grille mount 3-LED

MicroPulse™ Flashing/Marker | Exterior Mount/Perimeter Lights

Features

- Superior warning with high-powered LEDs
- Low-profile for discreet mounting
- FVMSS marker light and warning light in one solution
- Three-year LED warranty

Approvals

MicroPulse 6

- SAE J845, Class 2 (warning side)

Applications

- Construction
- Municipal
- Tow & Recovery
- Utility



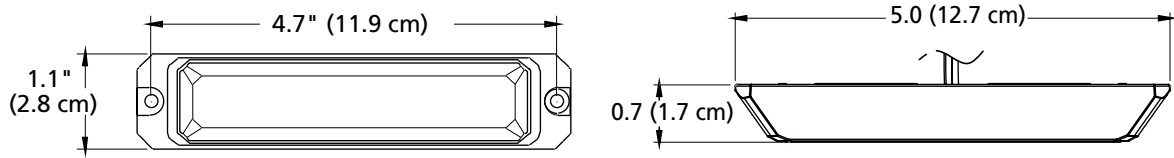
MPS600M-RA

CLASS 2

Model	Description
MPS600M-RA	6-LED lighthouse, (3) LED Red marker light, (3) LED Amber flashing
MPS600M-AA	6-LED lighthouse, (3) LED Amber marker light, (3) LED Amber flashing

MicroPulse™ Flashing/Marker | Exterior Mount/Perimeter Lights

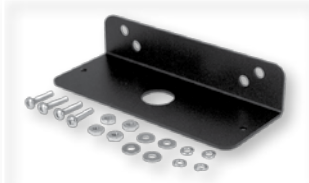
MicroPulse Flashing / Marker



Specifications	
Voltage	12/24 VDC
Current Draw	0.79 Amp @ 12 VDC
	0.45 Amp @ 24 VDC
Operating Temp.	-40° C to +80° C
Physical Specifications (L x H x D)	
	5.0 in x 1.1 in x 0.70 in (12.7 cm x 2.8 cm x 1.7 cm)
Ship Weight	
	0.75 lbs (0.34 kg)

MicroPulse™ Brackets

MicroPulse 12 and MicroPulse Ultra 12 Brackets



MPSM12-LB

Generic L-bracket for (1) MPS1200



MPSM12-DS

Generic L-bracket for (2) MPS1200, stacked



MPSM12-DL

Generic L-bracket for (2) MPS1200, side-by-side



MPSM12-SB

Swivel mount bracket for (1) MPS1200



MPSM12U-SPACRKT

Kit of four 5-degree rubber mounting wedges for use with MPS1200U lights

94

MicroPulse 6 and MicroPulse Ultra 6 Brackets



MPSM6-LB

Generic L-Bracket for (1) MPS600 or MPS600U



MPSM6-DS

Generic L-Bracket for (2) MPS600, stacked or (2) MPS600U stacked, cannot be used with MPS600U bezel



MPSM6-DL

Generic L-Bracket for (2) MPS600, side-by-side or (2) MPS600U side-by-side, cannot be used with MPS600U bezel



MPSM6-SB

Swivel Mount Bracket for (1) MPS600 or (1) MPS600U



MPSM6-BOOT

Rubber boot mount for (1) MPS600



MPSM6-BOOTKIT

(2) Rubber boot mounts, (2) mounting plates for (2) MPS600



MPSM6-SPACRKT

Kit of four 5-degree rubber mounting wedges for use with MPS600 lights



MPSM6U-SPACRKT

Kit of four 5-degree rubber mounting wedges for use with MPS600U lights

MicroPulse™ Brackets

MicroPulse 3 and MicroPulse Ultra 3 Brackets



MPSM3-LB

Generic L-Bracket for (1) MPS300



MPSM3-DS

Generic L-Bracket for (2) MPS300,
stacked



MPSM3-DL

Generic L-Bracket for (2) MPS300,
side-by-side



MPSM3-SB

Swivel mount bracket for (1) MPS300



MPSM3U-SPACRKT

Kit of four 5-degree rubber mounting
wedges for use with MPS300U lights

QuadraFlare® 4x3

Exterior Mount/Perimeter Lights

Features

- Solaris® LED reflector technology
- Fresnel lens with enhanced design provides outstanding performance to meet various industry lighting specifications
- Offered with built-in flasher featuring a variety of selectable patterns
- Single model offers both “split” and “solid” flashing capabilities
- LEDs offered in Amber, Blue, Green, Red and White
- Optional chrome-plated trim bezel available
- Five-year LED warranty

Approvals

- SAE J845, J595, Class 1
- CAC Title 13

Applications

- Construction
- Municipal
- Tow & Recovery
- Utility



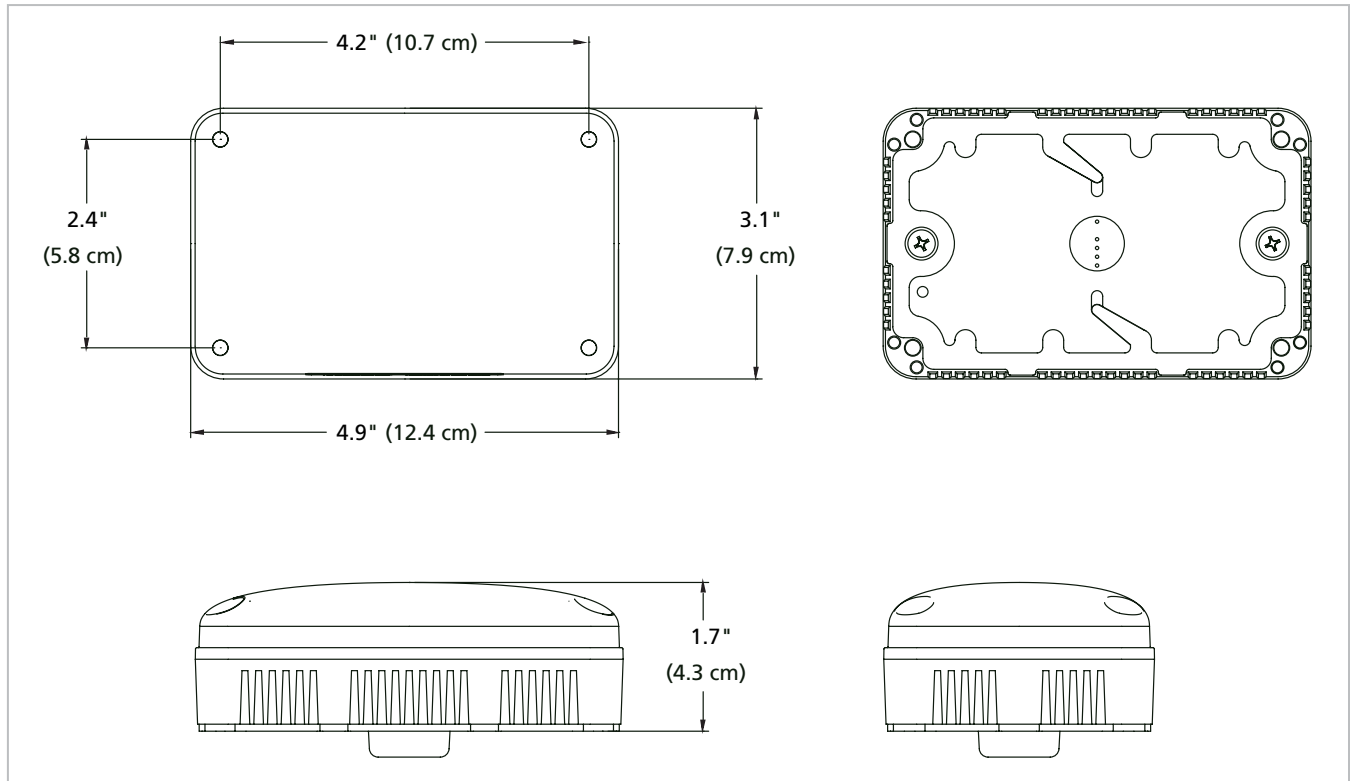
QL43-AA
(Shown with Chrome Bezel, option)

CLASS 1

CAC Title 13



Model	Description
Warning Lights with color lens and built-in flasher	
QL43-(Color)	-AA(Amber); -BB(Blue); -RR(Red); -GG(Green)
Split-LED warning lights with clear lens and built-in flasher	
QL43C-(Color/Color)	-A(Amber); -B(Blue); -G(Green); -R(Red); -W(White)
Back-up, brake/tail/turn, back-up, and turn lights	
QL43-BACKUP	Back-up light, White LEDs, Clear lens
QL43-BTT	Brake/Tail/Turn, Red LEDs, Red lens
QL43-TURN	Turn light, Amber LEDs, Amber lens
Accessory	
QL43MC	Trim bezel, Chrome with gasket



Warning Lights					
Model #	LED Color	Lens Color	LED Count	Internal Flasher	Dimming
4X3 Quadraflares					
QL43-(Color)	Amber, Blue, Green, White	Amber, Blue, Clear, Green	12	YES	YES
QL43-R	Red	Red	16	YES	YES
QL43C-(Color)(Color)	Amber, Blue, Green, Red, White	Clear	12	YES	YES
QL43C-RR	Red	Clear	16	YES	YES

Specifications					
Model #	Current Draw	Input Voltage	Operating Temperature	Physical Specifications H x W x L	Ship Weight
All QL43 Models	Max 2.0 Amps	12 VDC	-30°C to 80°C	3.1 in x 4.9 in x 1.7 in (7.9 cm x 12.4 cm x 4.3 cm)	1.0 lbs (0.5kg)

QuadraFlare® 4x3 DOT

Exterior Mount/Perimeter Lights

Features

- Solaris® LED reflector technology
- Fresnel lens with enhanced design provides outstanding performance to meet various industry lighting specifications
- Brake/tail/turn and back-up light models also available
- DOT lens for use in back-end mounting boxes
- LEDs offered in Amber, Blue, Clear, Green or Red
- QL43D-(color) require flasher for operation
- All QL43D models come with weather tight connector
- Five-year LED warranty

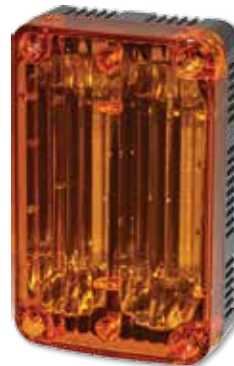
98

Approvals

- SAE J845, J595, Class 1
- CAC Title 13

Applications

- Municipal



CLASS 1

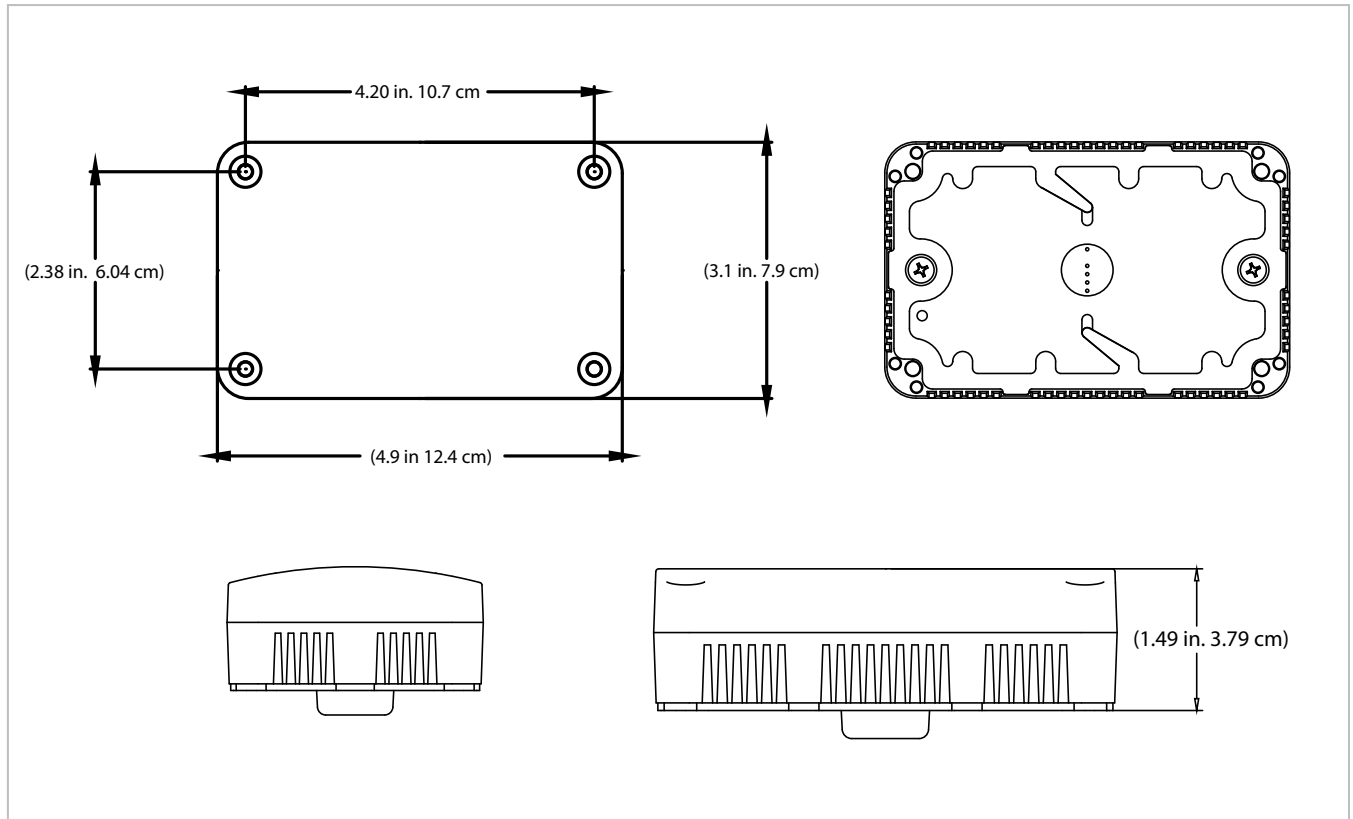
CAC Title 13

SOLARIS

Model	Description
DOT lens (No built-in flasher)	
QL43D-(Color)	-A(Amber); -B(Blue); -G(Green); -R(Red); -W(White)
DOT brake/tail/turn and Back-up lights	
QL43D-BTT	Brake/tail/turn, Red LED, Red lens
QL43D-BACKUP	Back-up light, White LED, Clear lens



Shown with mounting box,
model 304303SSG (sold separately, see [page 142](#))



Warning Lights					
Model #	LED Color	Lens Color	LED Count	Internal Flasher	Split LED
QL43D-(Color)	Amber, Blue, Green, White	Amber, Blue, Clear, Green	12	Flasher Required	With DOT Flasher
QL43D-R	Red	Red	16	Flasher Required	With DOT Flasher

Specifications					
Model #	Current Draw*	Input Voltage	Operating Temperature	Physical Specifications H x W x L	Ship Weight
QL43D-(Color)	Max 2.0 Amps	12 VDC	-30° C to 80° C	3.1 in x 4.9 in x 1.5 in (7.9 cm x 12.4 cm x 3.8 cm)	1.0 lbs (0.5kg)

QuadraFlare® 7x3

Exterior Mount/Perimeter Lights

Features

- Solaris® LED reflector technology
- Available with built-in flasher featuring a variety of OEM friendly selectable patterns
- LEDs offered in Amber, Blue, Green, Red and White
- Optional chrome-plated trim bezel available
- Five-year LED warranty

Approvals

- SAE J595, Class 1
- CAC Title 13

Applications

- Construction
- Municipal
- Tow & Recovery
- Utility



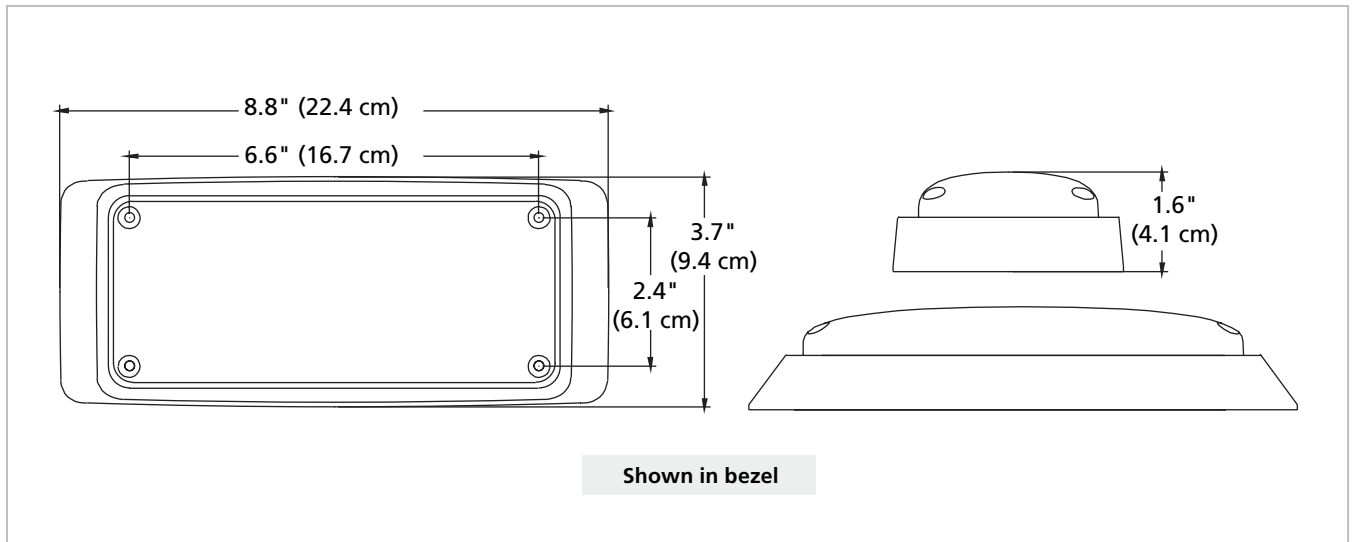
QL73-A
(Shown with Chrome Bezel, option)

CLASS 1

CAC Title 13

SOLARIS

Model	Description
Color lens and built-in flasher	
QL73XF-(color)	-A(Amber); -B(Blue); -R(Red)
QL73XF-G	Green
Clear lens and built-in flasher	
QL73XFC-(color)	-A(Amber); -B(Blue); -R(Red); -G(Green)
QL73XFC-C	Clear
Split-LED warning lights with color lens and built-in flasher	
QL73SF-AA	Amber/Amber
QL73SF-BB	Blue/Blue
QL73SF-RR	Red/Red
QL73SF-GG	Green/Green
Split-LED with Clear lens and built-in flasher	
QL73SFC-AC	Amber/Clear
QL73SFC-BA	Blue/Amber
QL73SFC-RA	Red/Amber
QL73SFC-RB	Red/Blue
QL73SFC-RC	Red/Clear
QL73SFC-RG	Red/Green
QL73SFC-RR	Red/Red
QL73SFC-AA	Amber/Amber
QL73SFC-BB	Blue/Blue
QL73SFC-BC	Blue/Clear
QL73SFC-CC	Clear/Clear
QL73SFC-GG	Green/Green
Accessory	
QL73MC	7x3 Trim bezel, Chrome with gasket
Common Replacement Parts	
Z8012078A	7x3 Lens, fluted, Red; -02 (Clear), -01 (Amber), -03 (Blue)
Z8012110A	Gasket, 7x3 base/lens, molded



Warning Lights						
Model #	LED Color	Lens Color	LED Count	Internal Flasher	Split LED	Dimming
7X3 Quadraflares						
QL73XF-(color)	Amber, Blue, Red, White, Green	Amber, Blue, Red, Clear, Green	8	YES	NO	YES
QL73XFC-(color)	Amber, Blue, Red, White, Green	Clear	8	YES	NO	YES
QL73SF-(color)(color)*	Amber, Blue, Red, Green	Amber, Blue, Red, Clear, Green	8	YES	YES	YES
QL73SFC-(color)(color)	Amber, Blue, Red, White, Green	Clear	8	YES	YES	YES

* Single color split LEDs. Example: red/red LEDs, red lens.

Specifications					
	Current Draw*	Input Voltage	Operating Temperature	Physical Specifications H x W x L	Ship Weight
All QL73 Models	Max 2.0 Amps	12.8 VDC	-40° C to +65° C	7.4 in x 3.7 in x 1.6 in (18.7 cm x 9.4 cm x 4.1 cm) (without bezel)	1.0 lbs (0.5 kg)

QuadraFlare® 6x4

Exterior Mount/Perimeter Lights

Features

- Solaris® LED reflector technology
- Offered with built-in flasher featuring a variety of selectable patterns
- Stop/tail/turn, turn Arrow and Back-up light models also available
- LEDs offered in Amber, Blue, Green, Red and White
- Optional chrome-plated trim bezel available
- Five-year LED warranty



QL64-AA
(Shown with Chrome Bezel, option)

CLASS 1

CAC Title 13



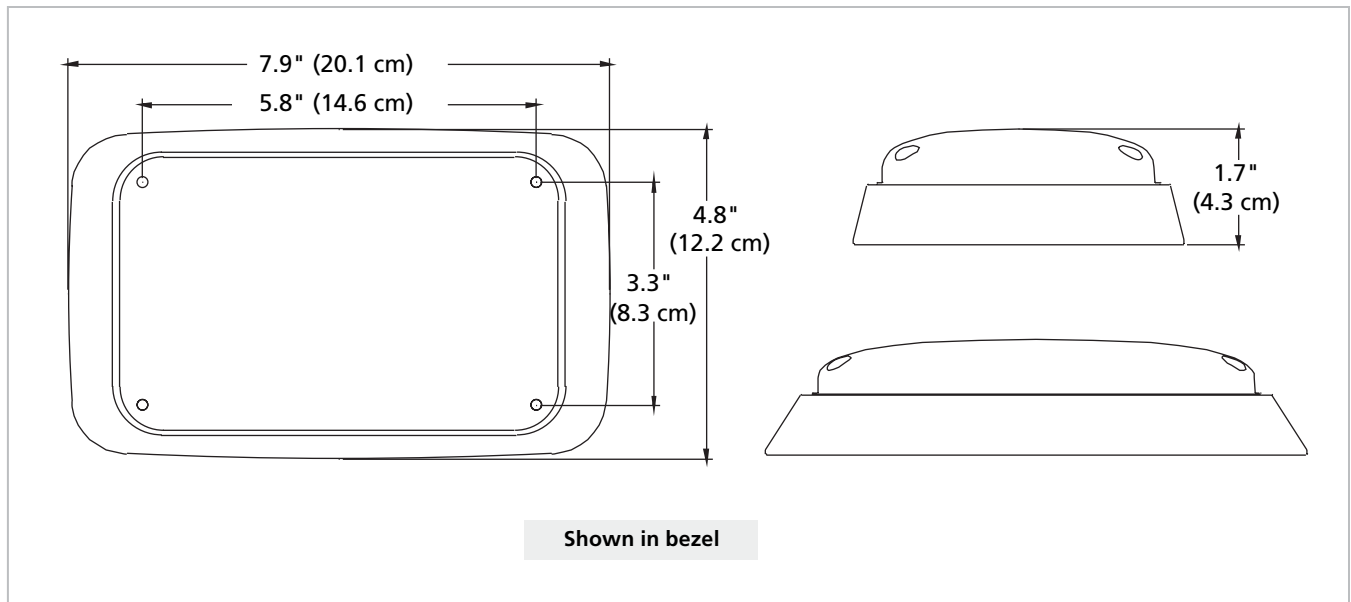
Model	Description
Warning lights with color lens and built-in flasher	
QL64-(Color/Color)	-AA(Amber); -BB(Blue); -GG(Green); -RR(Red)
Warning lights with Clear lens and built-in flasher	
QL64C-(Color/Color)	-A(Amber); -B(Blue); -G(Green); -R(Red); -W(White)
Brake/tail/turn and back-up lights	
QL64-BTT	Brake/tail/turn, Red LED, Red lens
QL64-ARROW	Turn arrow, Amber LED, Amber lens
QL64-TURN	Turn light, Amber LED, Amber lens
QL64-BACKUP	Back-up light, White LED, Clear lens
3-Position Vertical Casting	
QL64Z3V-LEFT	Installed QL64Z-BTT, QL64Z-ARROW (left facing), QL64Z-BACKUP
QL64Z3V-RIGHT	Installed QL64Z-BTT, QL64Z-ARROW (right facing), QL64Z-BACKUP
QL64Z3V-LED	Installed QL64Z-BTT, QL64Z-TURN, QL64Z-BACKUP
QL64Z3V	Casting with gasket
3-Position Vertical Casting	
QL64Z3H-LEFT	Installed QL64Z-BTT, QL64Z-ARROW (left facing), QL64Z-BACKUP
QL64Z3H-RIGHT	Installed QL64Z-BTT, QL64Z-ARROW (right facing), QL64Z-BACKUP
QL64Z3H-LEDLEFT	Installed QL64Z-BTT, QL64Z-TURN, QL64Z-BACKUP
QL64Z3H-LEDRIGHT	Installed QL64Z-BTT, QL64Z-TURN, QL64Z-BACKUP
QL64Z3H	Casting with gasket
4-Position Vertical Casting	
QL64Z4V-LEFT	Installed QL64Z-BTT, QL64Z-ARROW (left facing), QL64Z-BACKUP, QL64XF-R
QL64Z4V-RIGHT	Installed QL64Z-BTT, QL64Z-ARROW (right facing), QL64Z-BACKUP, QL64XF-Rs
QL64Z4V	Casting with gasket
Accessories and Kits	
QL64MHL	6x4 Headlight mount kit
QL64MC	6x4 Trim bezel, Chrome with gasket
Common Replacement Parts	
Z8012109A	Gasket, 6x4 base/lens molded
Z8012013B-01	Lens, fluted, 6x4, Amber; -02(Clear)
Z8012016A	Bezel to surface gasket
Z7065073A	Screw, grommet

Approvals

- SAE J595, Class 1
- CAC Title 13

Applications

- Construction
- Municipal
- Tow & Recovery
- Utility



Model	LED Color	Lens Color	LED Count	Internal Flasher	Split LED	Dimming
6x4 QuadraFlares						
QL64XF-(color)	Amber, Blue, Red, White, Green	Amber, Blue, Red, Clear, Green	10	YES	N/A	YES
QL64XFC-(color)	Amber, Blue, Red, White, Green	Clear	10	YES	N/A	YES
QL64SFC-(color)(color)	Amber, Blue, Red, White, Green	Clear	10	YES	YES	YES

* Single color split LEDs. Example: red/red LEDs, red lens.

Specifications					
	Current Draw*	Input Voltage	Operating Temperature	Physical Specifications H x W x L	Ship Weight
All QL64 Models	Max 2.0 Amps	12.8 VDC	-40°C-+65°C	4.2 in x 6.6 in x 1.5 in (10.7 cm x 16.7 cm x 3.8 cm) (without bezel)	1.0 lb (0.5kg)
QL64Z3V-LED	Max 2.5 Amps	12.8 VDC	-40°C-+65°C	15.1 in x 7.4 in x 1.6 in (38.4 cm x 18.8 cm x 4.1 cm)	11.0 lbs (5.0 kg)
QL64Z3V-Left/Right	Max 2.5 Amps	12.8 VDC	-40°C-+65°C	15.1 in x 7.4 in x 1.6 in (38.4 cm x 18.8 cm x 1.6 cm)	11.0 lbs (5.0 kg)
QL643H-LED	Max 2.5 Amps	12.8 VDC	-40°C-+65°C	5.0 in x 22.3 in x 1.6 in (12.7 cm x 56.6 cm x 4.1 cm)	11.0 lbs (5.0 kg)
QL643H-Left/Right	Max 2.5 Amps	12.8 VDC	-40°C-+65°C	5.0 in x 22.3 in x 1.6 in (12.7 cm x 56.6 cm x 4.1 cm)	11.0 lbs (5.0 kg)
QL64Z4V-LED	Max 4.0 Amps	12.8 VDC	-40°C-+65°C	19.6 in x 7.4 in x 1.6 in (49.8 cm x 18.8 cm x 4.1 cm)	12.5 lbs (5.7 kg)
QL64Z4V-Left/Right	Max 4.0 Amps	12.8 VDC	-40°C-+65°C	19.6 in x 7.4 in x 1.6 in (49.8 cm x 18.8 cm x 4.1 cm)	12.5 lbs (5.7 kg)

QuadraFlare® 9x7

Exterior Mount/Perimeter Lights

Features

- Solaris® LED reflector technology
- Features unique Quad-X patterns
- Available with built-in flasher featuring a variety of OEM friendly selectable patterns
- LEDs offered in Amber, Blue, Green, Red and White
- Optional chrome-plated trim bezel available
- Five-year LED warranty



QL97XF-A
(Shown with Chrome Bezel, option)

CLASS 1

CAC Title 13

SOLARIS

Model	Description
QuadraFlare, warning lights with color lens and built-in flasher	
QL97XF-(color)	-A(Amber); -B(Blue); -G(Green); -R(Red)
QuadraFlare, warning lights with Clear lens and built-in flasher	
QL97XFC-(color)	-A(Amber); -B(Blue); -G(Green); -R(Red)
QL97XFC-C	White
Split-LED warning lights with color lens and built-in flasher	
QL97SF-AA	Amber/Amber
QL97SF-RR	Red/Red
QL97SF-GG	Green/Green
Split-LED warning lights with Clear lens and built-in flasher	
QL97SFC-AA	Amber/Amber
QL97SFC-AC	Amber/Clear
QL97SFC-BB	Blue/Blue
QL97SFC-CC	White/White
QL97SFC-RA	Red/Amber
QL97SFC-RB	Red/Blue
QL97SFC-RC	Red/White
QL97SFC-RR	Red/Red
QL97SFC-BA	Blue/Amber
QL97SFC-BC	Blue/Clear
Accessory	
QL97MC	Trim bezel, Chrome with gasket
Common Replacement Parts	
Z8012062C	9x7 Lens, fluted, Red; -01 (Amber); -02 (Clear); -03 (Blue)
Z8012111A	Gasket, 9x7 base/lens, molded

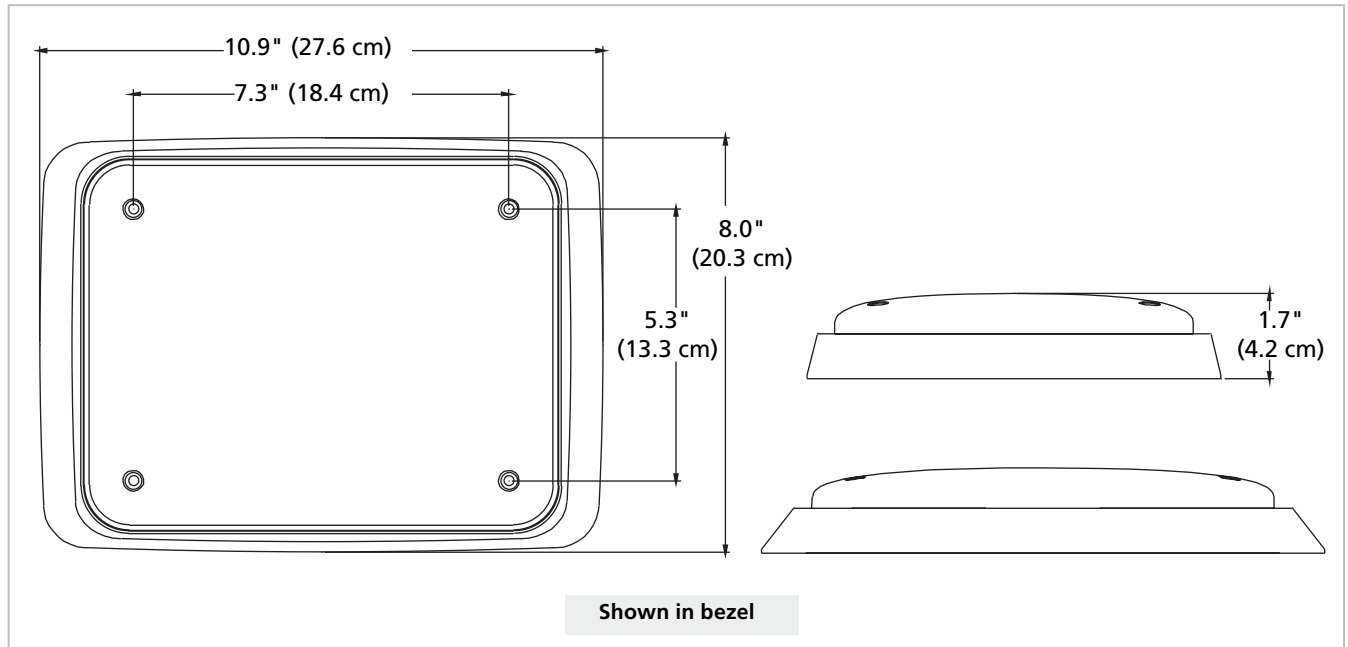
104

Approvals

- SAE J595, Class 1
- CAC Title 13

Applications

- Construction
- Municipal
- Tow & Recovery
- Utility



Warning Lights						
Model	LED Color	Lens Color	LED Count	Internal Flasher	Split LED	Dimming
9x7 Quadraflares						
QL97XF-(color)	Amber, Blue, Red, White, Green	Amber, Blue, Red, Clear, Green	16	YES	NO	YES
QL97XFC-(color)	Amber, Blue, Red, White, Green	Clear	16	YES	NO	YES
QL97SF-(color)(color)*	Amber, Blue, Red, Green	Amber, Blue, Red, Clear, Green	16	YES	YES	YES
QL97SFC-(color)(color)	Amber, Blue, Red, White, Green	Clear	16	NO	YES	YES

* Single color split LEDs. Example: Red/Red LEDs, Red lens.

Specifications					
	Current Draw*	Input Voltage	Operating Temperature	Physical Specifications H x W x L	Ship Weight
All QL97 models	Max 4.0 Amps	12.8 VDC	-40° C+65° C	7.3 in x 9.2 in x 1.7 in (18.4 cm x 23.4 cm x 4.2 cm) (without bezel)	2.0 lbs (0.9 kg)

Latitude™ Warning Light | Exterior Mount/Perimeter Lights

Features

- Solaris® LED reflector technology
- ROC (Reliable Onboard Circuitry™) technology
- Available in 4-, 6- and 8-head models
- Three LEDs per position
- Both interior and exterior mounting brackets are available; compatible with Federal Signal's SignalMaster brackets
- Innovative co-extrusion, polycarbonate housing provides moisture resistance
- (10) selectable flash patterns
- Five-year LED warranty

Approvals

- SAE J595 Class 1
- CAC Title 13 Class B

Applications

- Construction
- Street Sweepers
- Tow & Recovery
- Utility
- Waste Hauling



SL8F-A

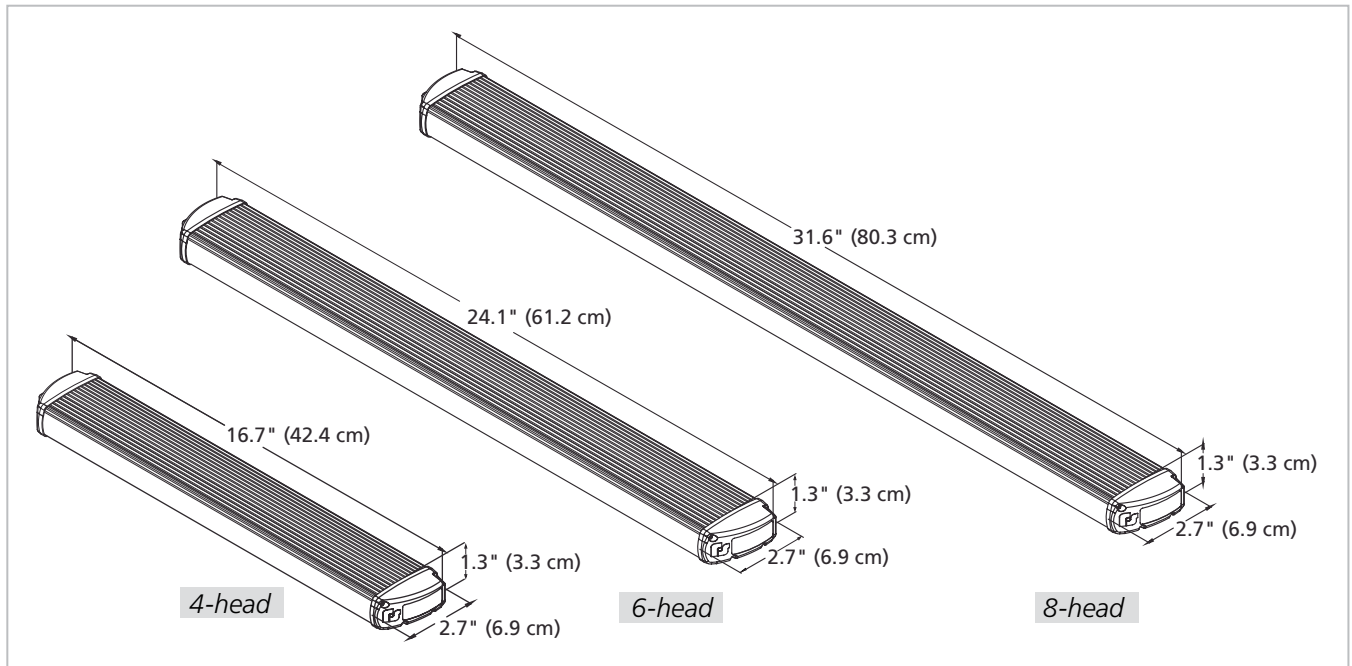
CAC Title 13

CLASS 1

ROC
RELIABLE ONBOARD CIRCUITRY™

SOLARIS

Model	Description
4-head flashing model	
SL4F-A	(4) Amber LED reflectors, A-A-A-A
SL4F-AAWW	(2) Amber LED reflectors, (2) White LED reflectors, A-A-W-W
SL4F-WWAA	(2) White LED reflectors, (2) Amber LED reflectors, W-W-A-A
6-head flashing model	
SL6F-A	(6) Amber LED reflectors, A-A-A-A-A-A
SL6F-AW	(3) Amber LED reflectors, (3) White LED reflectors, A-A-A-W-W-W
8-head flashing model	
SL8F-A	(8) Amber LED reflectors, A-A-A-A-A-A-A-A
SL8F-AW	(4) Amber LED reflectors, (4) White LED reflectors, A-A-A-A-W-W-W-W
Accessories and Kits	
320310	Kit, bracket, flush mount system
320320	Kit, bracket, double "L" mount
320330	Kit, bracket, system mount
320340	Kit, bracket, universal vehicle mount
320350	Kit, bracket, foot adapter
SLB-001	Long L-bracket
SLB-002	Short L-bracket
SLB-4SHRD	4-head Shroud
SLB-6SHRD	6-head Shroud
SLB-8SHRD	8-head Shroud



	4-Head	6-Head	8-Head
Specifications			
Voltage	12.8 VDC		
Amp Draw	2 Amps	4 Amps	6 Amps
Operating Temp	-22° F to +149° F (-30° C to +65° C)		
Physical Specifications			
Height	1.3 in (3.3 cm)	1.3 in (3.3 cm)	1.3 in (3.3 cm)
Length	16.7 in (42.4 cm)	24.1 in (61.2 cm)	31.6 in (80.3 cm)
Width	2.7 in (6.9 cm)	2.7 in (6.9 cm)	2.7 in (6.9 cm)
Ship Weight			
	3.1 lbs (1.4 kg)	3.8 lbs (1.7 kg)	4.0 lbs (1.8 kg)



320310



320320



320330



320340



320350



SLB-001



SLB-002

416500 Corner LED

Exterior Mount/Perimeter Lights

Features

- Built-in (19) selectable flash patterns
- Multiple heads can be synchronized and can flash simultaneously or alternately
- Maintenance free
- Low-profile design
- Suitable for external or internal use
- Three-year LED warranty



Model	Description
416500-A	Amber LED light head with in-line flasher
416500-B	Blue LED light head with in-line flasher
416500-C	Clear LED light head with in-line flasher
416500-R	Red LED light head with in-line flasher

Applications

- Construction
- Municipal
- Tow & Recovery
- Utility

108

Specifications			
System Voltage	12/24 VDC		
Average Current	1.2 Amps @ 12.8 VDC / 0.7 Amps @ 24 VDC		
Average Power	15 Watts		
Maximum Current	2.4 Amps @ 12.8 VDC / 1.23 Amps @ 24 VDC		
Operating Temperature	-22° F to 149° F (-40° C to 80° C)		
LED	6 LEDs per head		
Physical Dimensions	Light head	Flasher	Mounting flange
Length	N/A	5.43 in (13.79 cm)	2.23 in (5.66 cm)
Width	Base- 2.36 in (5.99 cm) Bulb - 1.48 in (3.76 cm)	0.9 in (2.29 cm)	1.88 in (1.78 cm)
Height	Base & Bulb - 0.67 in (1.7 cm) Base - 0.49 in (1.24 cm) Bulb - 0.67 in (1.7 cm)	0.5 in (1.27 cm)	0.49 in (1.24 cm)
Ship Weight			
	1.0 lb (0.45 kg)		

416200 In-Line Corner LED Systems

Exterior Mount/Perimeter Lights

Features

- Built-in (19) selectable flash patterns
- Multiple units can be synchronized and can flash simultaneously or alternately
- Maintenance free
- Low-profile design
- Three-year LED warranty

Applications

- Construction
- Municipal
- Tow & Recovery
- Utility



Model	Description
416200-22	Amber/Amber, (2) LED light heads with in-line flasher
416200-32	Amber/Blue, (2) LED light heads with in-line flasher
416200-33	Blue/Blue, (2) LED light heads with in-line flasher
416200-43	Red/Blue, (2) LED light heads with in-line flasher
416200-44	Red/Red, (2) LED light heads with in-line flasher
416200-55	Clear/Clear, (2) LED light heads with in-line flasher
Common Replacement Parts	
416200-EXT-LED	Kit, Cable, 4-ft extension
416201-02	LED light head, Amber
416201-03	LED light head, Blue
416201-04	LED light head, Red
416201-05	LED light head, Clear
416205	Flasher with cable, 2-channel

Specifications		
System Voltage	12/24 VDC	
Average Current	1.2 Amps @ 12.8 VDC / 0.7 Amps @ 24 VDC	
Average Power	15 Watts	
Maximum Current	2.4 Amps @ 12.8 VDC / 1.23 Amps @ 24 VDC	
Operating Temperature	-22° F to 149° F (-40° C to 80° C)	
LED	3W LED - 9 per head (total 18 LEDs in 2-head system)	
Physical Dimensions	Light head	Flasher
Length	N/A	5.6" (14.2 cm)
Width	Base-1.5" (3.9 cm) Bulb-1.0" (2.5 cm)	1.0" (2.5 cm)
Height	Base & Bulb-1.8" (4.6 cm) Base-0.3" (0.1 cm) Bulb-0.91" (2.3 cm)	0.6" (1.5 cm)
Ship Weight		
Complete System Kit	1 lb (.45 kg)	

416400/416410 Corner LED | Exterior Mount/Perimeter Lights

Features

- Single-color and split-color models
- 6-LEDs per light head
- Includes black bezel for mounting to exterior flat surfaces
- (39) selectable flash patterns
- Up to four lights can be synchronized for simultaneous or alternating flashing
- Five-year LED warranty

Applications

- Construction
- Municipal
- Tow & Recovery
- Utility



Model	Description
Single color models, surface mount bezel included for external mounting	
416410-A	Single corner LED light head with in-line flasher, Amber
416410-B	Single corner LED light head with in-line flasher, Blue
416410-R	Single corner LED light head with in-line flasher, Red
416410-W	Single corner LED light head with in-line flasher, White
Split-color models, surface mount bezel included for external mounting	
416400-RB	Single corner LED light head with in-line flasher, Red/Blue
416400-RW	Single corner LED light head with in-line flasher, Red/White
416400-BW	Single corner LED light head with in-line flasher, Blue/White

Specifications	
Input Voltage	10/16 VDC
Operating Temperature	-40° C to +65° C
Current Draw	Less than 1 Amp at 12.8 VDC (Flash pattern dependent)
Physical Specifications Lighthouse	
Lighthouse (D x L)	1.5 in x 0.9 in (3.81 cm x 2.28 cm)
Bezel (L x H x D)	2.2 in x 1.65 in x 0.63 in (5.58 cm x 4.19 cm x 1.60 cm)

416900/416910 Corner LED | Exterior Mount/Perimeter Lights

Features

- Built-in (19) selectable flash patterns
- Two modes of operation
- Two different mounting options
- Bezel, gaskets, and screws included
- Dual color models available
- (12) high-powered LEDs
- Multi-voltage 12/24VDC
- Weatherproof connector with detachable flasher
- Units can synchronize or alternate
- Five-year LED warranty

Applications

- Construction
- Municipal
- Tow & Recovery
- Utility



Model	Description
Single color models, surface mount bezel included for external mounting	
416910-A	Single color corner LED light head with in-line flasher, Amber
416910-B	Single color corner LED light head with in-line flasher, Blue
416910-R	Single color corner LED light head with in-line flasher, Red
416910-W	Single color corner LED light head with in-line flasher, White
Dual-color models, surface mount bezel included for external mounting	
416900-BA	Dual-color corner LED light head with in-line flasher, Blue/Amber
416900-BW	Dual-color corner LED light head with in-line flasher, Blue/White
416900-RB	Dual-color corner LED light head with in-line flasher, Red/Blue
416900-RA	Dual-color corner LED light head with in-line flasher, Red/Amber
416900-RW	Dual-color corner LED light head with in-line flasher, Red/White
416900-AW	Dual-color corner LED light head with in-line flasher, Amber/White
Accessories	
416900-BZC	Chrome Bezel for 416900 Series
416900-BZW	White Bezel for 416900 Series



416910-A



416910-W

Specifications	
Input Voltage	12/24 VDC
Operating Temperature	-30° C to +80° C
Current Draw	Less than 1 Amp at 12.8 VDC (Flash pattern dependent)
Physical Specifications Lighthouse	
Diameter	1.5 in (3.81 cm)
Height	0.9 (2.3 cm)
Physical Specifications Bezel	
Diameter	1.85 in (4.7 cm)
Height	0.47 in (1.19 cm)

SignalTech® LED Lights | Exterior Mount/Perimeter Lights

Features

- Sealed wiring harness
- Random, alternating or synchronous flash patterns
- Three-year warranty

Approvals

- S/T/T and back-up/turn: FMVSS 108 compliant, SAE J1398, and SAE J593
- Flashing: Class 1 and CAC Title 13 approved
- STT/Tail/Back-up/Marker lights all meet ECE and DOT requirements

112

Applications

- Construction
- Municipal
- Tow & Recovery
- Utility



607106-02SB

607102-02SB

CLASS 1

CAC Title 13

Model	Description
	Random Flashing LED Light Kits, 12/24 VDC, 71 quad FPM Kits includes LED light, rubber mounting grommet, sealed wire harness
	4" Round LED Light Kits
607123-02SB	PAR 36, Amber; -03SB(Blue); -04SB(Red); -05SB(Clear)
	6" Oval LED Light Kit
607101-02SB	Amber; -03SB(Blue); -04SB(Red)
	S/T/T and Back-up Lights (kits includes LED light, rubber mounting grommet, sealed wire harness)
	4" Round LED Light Kits
607100-04SB	LED Stop/Tail/Turn light, 12/24 VDC, Red
607102-02SB	LED turn light, 12/24 VDC, Amber
607124-05SB	LED back-up light, 12/24 VDC, White
607124-05SB-DEU	LED back-up light, 12/24 VDC, White with deutsch
	6" Oval LED Light Kits
607105-04SB	LED Stop/Tail/Turn light, 12/24 VDC, Red
607106-02SB	LED turn light, 12/24 VDC, Amber
607125-05SB	LED back-up light, 12/24 VDC, White
	Side Marker/Clearance Lights, 12VDC
607120-02SB	2.5" round, Amber; -04SB(Red)
	Accessories and Kits
605501-02SB	6" oval flashing LED light head, Amber; -04SB(Red); -03SB(Blue); -05SB(Clear)
605520SB	Kit, rubber mounting grommet, 4" round
605510SSG	Kit, rubber mounting grommet, 6" oval
605523-02SB	4" round flashing LED light head, Amber; -03(Blue); -04(Red)
605500SSG	Sealed wire harness for flashing LED light heads
607109SB	Sealed wire harness for S/T/T and Turn LED light heads
605530SB	2.5" round mounting grommet

Specifications	
Voltage	12/24 VDC (all units operate at 9 to 32 VDC)
	Marker Lights: 12 VDC only
Operating Temp	-30° C to + 65° C
Amp Draw	Amber: 0.27 Amp (average)
Flashing Models @ 12.8V	Red: 0.27 Amp (average)
	Blue: 0.27 Amp (average)
S/T/T & Turn Models @ 12.8V	Red: Turn 0.27 Amp (average); Tail 0.27 Amp (average)
	Amber: Turn 0.25 Amp (average); Tail 0.22 Amp (average)
Back-Up Models @ 12.8V	Clear: 0.25 Amp (average)
Physical Specifications	
2.5" Round (Dia. x D.)	2.5 in x 0.78 in (6.35 cm x 0.1981 cm)
4" Round (Dia. x D.)	4.3 in x 1.75 in (109 cm x 4.45 cm)
6.5" Oval (L. x D. x H.)	6.4 in x 1.9 in x 2.36 in (16.35 cm x 4.8 cm x 6.0 cm)
Ship Weight	
2.5" Round	0.20 lbs (0.9 kg)
4" Round	0.47 lbs (0.17 kg)
6" Oval	0.48 lbs (0.18 kg)
4" Tractor Lamp	1.50 lbs (0.68 kg)