

VPX SignalMaster™ | Directional Lighting

Features

- Viper® EXT LED modules provide superior light intensity
- Eight high-powered LEDs in each Viper EXT module
- Low Amp draw
- Fully-encapsulated, water resistant modules ideal for external mounting
- Extrusion designed to block sunlight, increasing the warning effectiveness
- The full-featured controllers (sold separately) include low-power mode to reduce Amp draw for nighttime operation and fast mode that increases the “build” speed of the warning pattern
- Five-year warranty on Viper EXT LED modules

70

Approvals

- SAE J845, Class 1
- CAC Title 13 (on select models)

Applications

- Construction
- Street Sweepers
- Tow & Recovery
- Utility
- Waste Hauling



CLASS 1 CAC Title 13 SOLARIS

Model	Description
320842	20", (4) LED modules, 30-ft cable, Amber LEDs with Amber lens
320862	31", (6) LED modules, 30-ft cable, Amber LEDs with Amber lens
320866	31", (6) LED modules, 60-ft cable, Amber LEDs with Amber lens
320872	42", (8) LED modules, 15-ft cable, Amber LEDs with Amber lens
320882	42", (8) LED modules, 30-ft cable, Amber LEDs with Amber lens
320886	42", (8) LED modules, 60-ft cable, Amber LEDs with Amber lens
320892	51", (8) LED modules, 30-ft cable, Amber LEDs with Amber lens
320893	51", (8) LED modules, 50-ft cable, Amber LEDs with Amber lens
CAC Title 13 Model	
320935	51", (8) LED modules, 30-ft cable, Amber LEDs with Amber lens
Accessories and Kits	
320310	Kit, bracket, flush mount system
320320	Kit, bracket, double "L" mount
320330	Kit, bracket, system mount
320340	Kit, bracket, universal vehicle mount
320350	Kit, bracket, foot adapter
Common Replacement Parts	
Z8613194A-01	Viper EXT, Amber LEDs with Amber lens
Z8613194A-04	Viper EXT, Amber LEDs with Clear lens

NOTE

- See [page 78](#) for SignalMaster controllers, sold separately

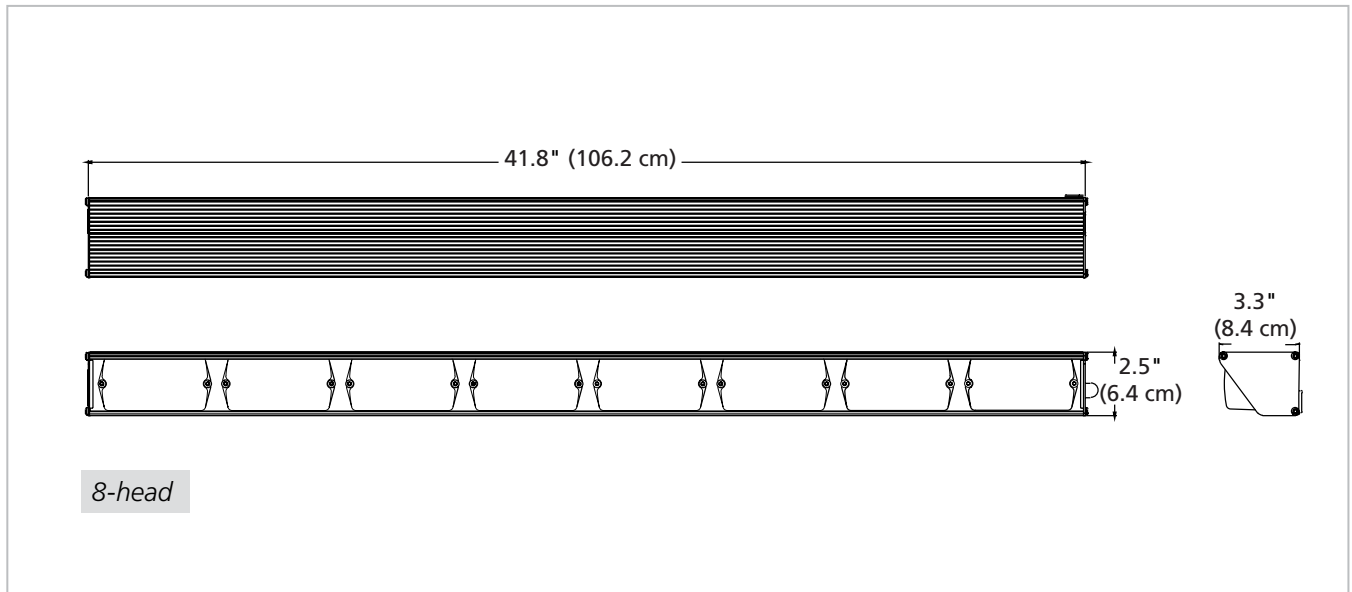


330104-SB



331105-SB

SignalMaster Controls



Specifications				
Voltage	12 VDC			
Amp Draw	2.1 Amps per head			
Physical Specifications				
	Length	Width	Height	Ship Weight
4 Lamp	20 in (50.8 cm)	3.3 in (8.4 cm)	2.5 in (6.4 cm)	3.5 lbs (1.6 kg)
6 Lamp	31.0 in (78.7 cm)	3.3 in (8.4 cm)	2.5 in (6.4 cm)	6.0 lbs (2.7 kg)
42" 8 Lamp	41.8 in (106.2 cm)	3.3 in (8.4 cm)	2.5 in (6.4 cm)	6.5 lbs (2.9 kg)
51" 8 Lamp	50.9 in (129.3 cm)	3.3 in (8.4 cm)	2.5 in (6.4 mm)	9.7 lbs (4.4 kg)
Controller	5.1 in (129.5 cm)	6.1 in (15.5 cm)	1.4 in (3.6 cm)	1.0 lbs (0.5 kg)



320310



320320



320330



320340



320350

Latitude™ SignalMaster™ | Directional Lighting

Features

- Solaris® LED reflector technology
- ROC (Reliable Onboard Circuitry™) technology
- Available in 6-head and 8-head models
- Three LEDs per position
- Both interior and exterior mounting brackets are available; compatible with Federal Signal's SignalMaster brackets
- Innovative co-extrusion, polycarbonate housing provides moisture resistance
- Each model includes left, right and center-out warning signals
- Five-year LED warranty

Approvals

- SAE J595 Class 1
- CAC Title 13, Class B

Applications

- Construction
- Street sweepers
- Tow & Recovery
- Utility
- Waste hauling



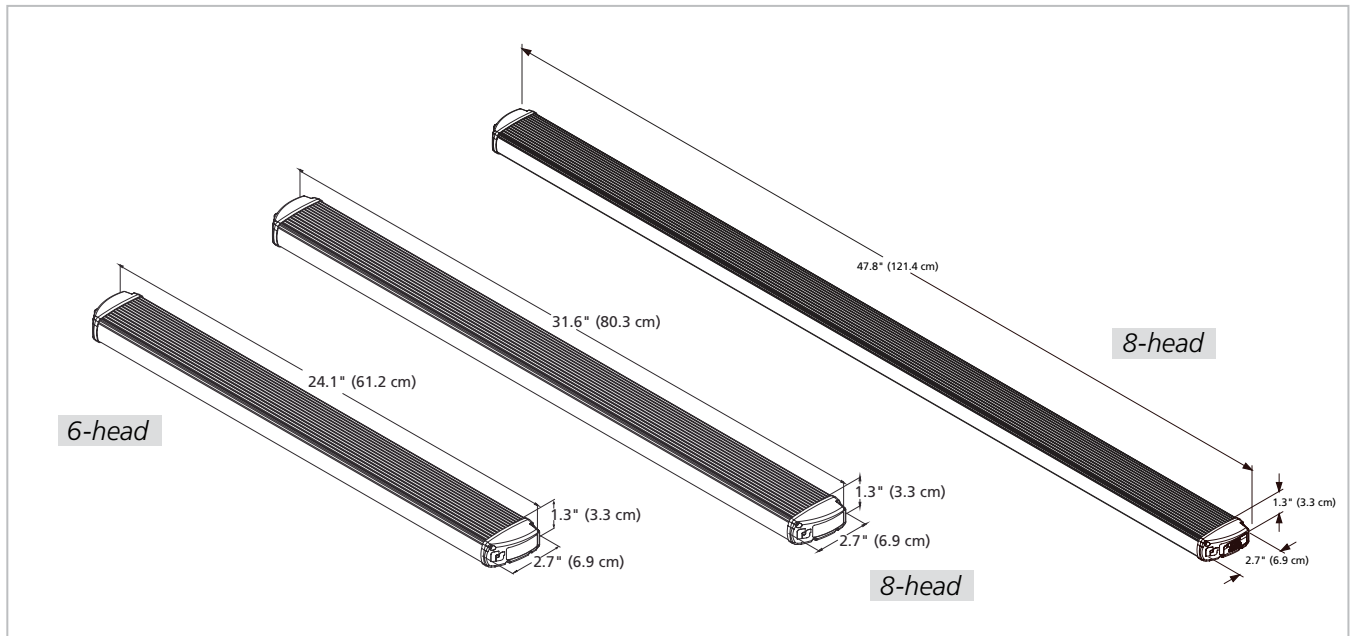
CLASS 1

CAC Title 13

ROC
RELIABLE ONBOARD CIRCUITRY™

SOLARIS

Model	Description
6-head, 24.2" model	
SL6S-A	(6) Amber LED reflectors, A-A-A-A-A-A, SignalMaster Economy Controller
8-head, 31.6" model	
SL8S-A	(8) Amber LED reflectors, A-A-A-A-A-A-A-A, SignalMaster Economy Controller
SL8S-A-50	(8) Amber LED reflectors, A-A-A-A-A-A-A-A, SignalMaster Economy Controller, 50-ft cable
8-head, 48" model	
SL8S-A48	(8) Amber LED reflectors, A-A-A-A-A-A-A-A, SignalMaster Economy Controller
SL8S-A48-50	(8) Amber LED reflectors, A-A-A-A-A-A-A-A, SignalMaster Economy Controller, 50-ft cable
Accessories and Kits	
320310	Kit, bracket, flush mount system
320320	Kit, bracket, double "L" mount
320330	Kit, bracket, system mount
320340	Kit, bracket, universal vehicle mount
320350	Kit, bracket, foot adapter
SLB-6SHRD	6-head shroud
SLB-8SHRD	8-head shroud
SLB-001	Long L-bracket
SLB-002	Short L-bracket



	6-Head	8-Head (31.6")	8-Head (48")
Specifications			
Voltage	12.8 VDC		
Amp Draw	3 Amps	4 Amps	4 Amps
Operating Temp	-22° F to +149° F (-30° C to +65° C)		
Physical Specifications			
Height	1.3 in (3.3 cm)	1.3 in (3.3 cm)	1.3 in (3.3 cm)
Length	24.1 in (61.2 cm)	31.6 in (80.3 cm)	47.8 in (121.4 cm)
Width	2.7 in (6.9 cm)	2.7 in (6.9 cm)	2.7 in (6.9 cm)
Ship Weight			
	3.8 lbs (1.7 kg)	4.0 lbs (1.8 kg)	5.0 lbs (1.8 kg)



320310



320320



320330



320340



320350



SLB-001



SLB-002

CN SignalMaster™ | Directional Lighting

Features

- Solaris® LED reflector technology
- FS Convergence Network controller
- A serial interface module is available for use with your existing light controller
- Available in 4-head and 8-head models
- Built-in SignalMaster functions and flash patterns
- Suitable for internal or external use
- Five-year warranty



CLASS 1

CAC Title 13

Online Lightbar Configurator

CONVERGENCE network

SOLARIS

Model	Description
8-Head Models	
CNSM8R-2654018	(8) Amber LED reflectors, no interface module
CNSM8R-00037	(8) Amber LED reflectors, 6-button controller
CNSM8RS-AMBR5	(8) Amber/White LED reflectors, interface module
CNSM8RS-AMBR7	(8) Amber/White LED reflectors, 6-button controller
Accessories and Kits	
CNSM-UM	Universal mount kit for internal and external use
Z8583446E	Serial interface module
Z8623133A-VAL	6-button programmable controller

How to Order

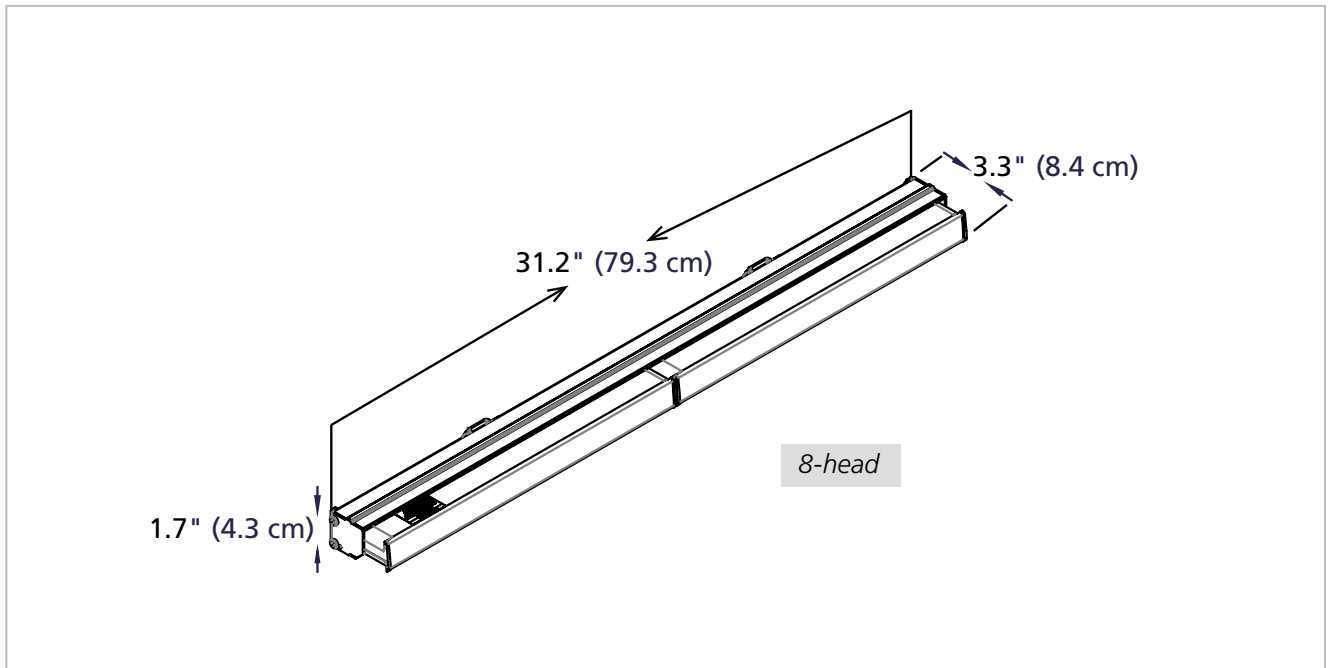
Choose one of the popular models above, customize your own directional lightbar with our online configurator or contact a local Federal Signal representative or distributor.

Approvals

- SAE Class 1
- CAC Title 13

Applications

- Construction
- Street sweepers
- Tow & Recovery
- Utility
- Waste hauling



Specifications	
Voltage	12.8 VDC
Amp Draw	8 Amps
Operating Temp	-30° C to 65° C
Physical Specifications	
Height	1.7 in (4.3 cm)
Length	31.2 in (79.3 cm)
Width	3.3 in (8.4 cm)
Ship Weight	
	4.0 lbs (1.8 kg)*

* Controller not included



CNSM-UM

Escape 72" SignalMaster™

Directional Lighting

Features

- Solaris® LED reflector technology
- (8) 6x4 QuadraFlare® LED reflectors provide superior light intensity
- (12) high-powered LEDs in each QuadraFlare® reflector
- Available with Amber or Clear domes
- Compatible with Federal Signal's SignalMaster™ controllers
- Five-year LED warranty



CLASS 1

CAC Title 13

SOLARIS

Model	Description
ELX72-SM8	(8) 6x4 QuadraFlare LED reflectors, Amber domes, 72"
ELX72-SM8C	(8) 6x4 QuadraFlare LED reflectors, Clear domes, 72"

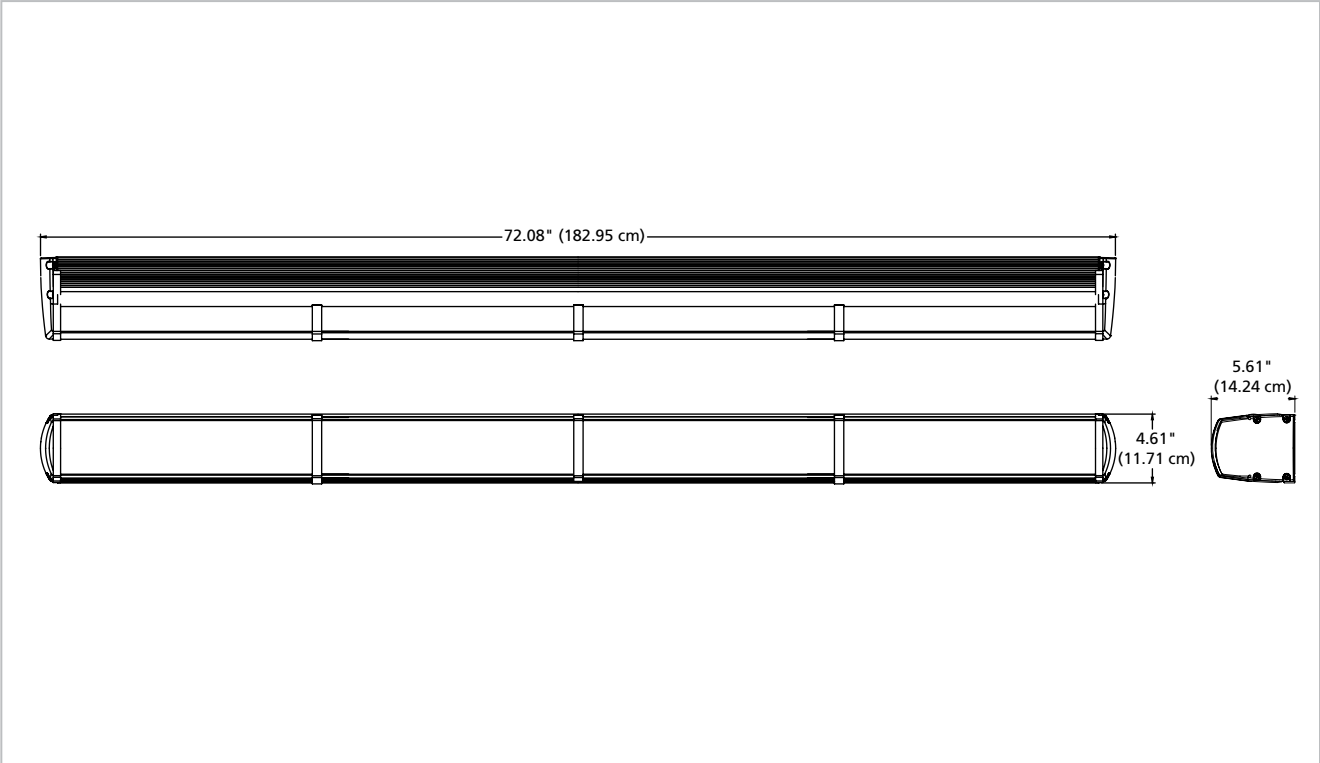
76

Approvals

- SAE J845, Class 1
- CAC Title 13, Class B

Applications

- Construction
- Street sweepers
- Tow & Recovery
- Utility
- Waste hauling



Specifications	
Voltage	12 VDC
Amp Draw	1.5 Amps per head, 12 Amps all on
Operating Temp	-30° C to 65° C
Physical Specifications	
Height	4.61 in (11.71 cm)
Length	72.08 in (182.95 cm)
Ship Weight	
	36 lbs (16.3 kg)

SignalMaster™ Controls

Directional Lighting

Features

- Combined 12 and 24 VDC operation from one controller
- Operates two SignalMaster™ directional lights (SMC5)
- One controller operates (2) 4-, 6-, or 8-lamp directional lights
- Fourteen (SMC5) / seven (SMC1) SignalMaster warning patterns
- AUX IN and AUX OUT functions with eight warning patterns and steady-on mode allows customization of complete warning packages (SMC5)
- Turn signal override feature (SMC5)
- Tactile membrane switch panel
- Reliable surface mount circuitry

78

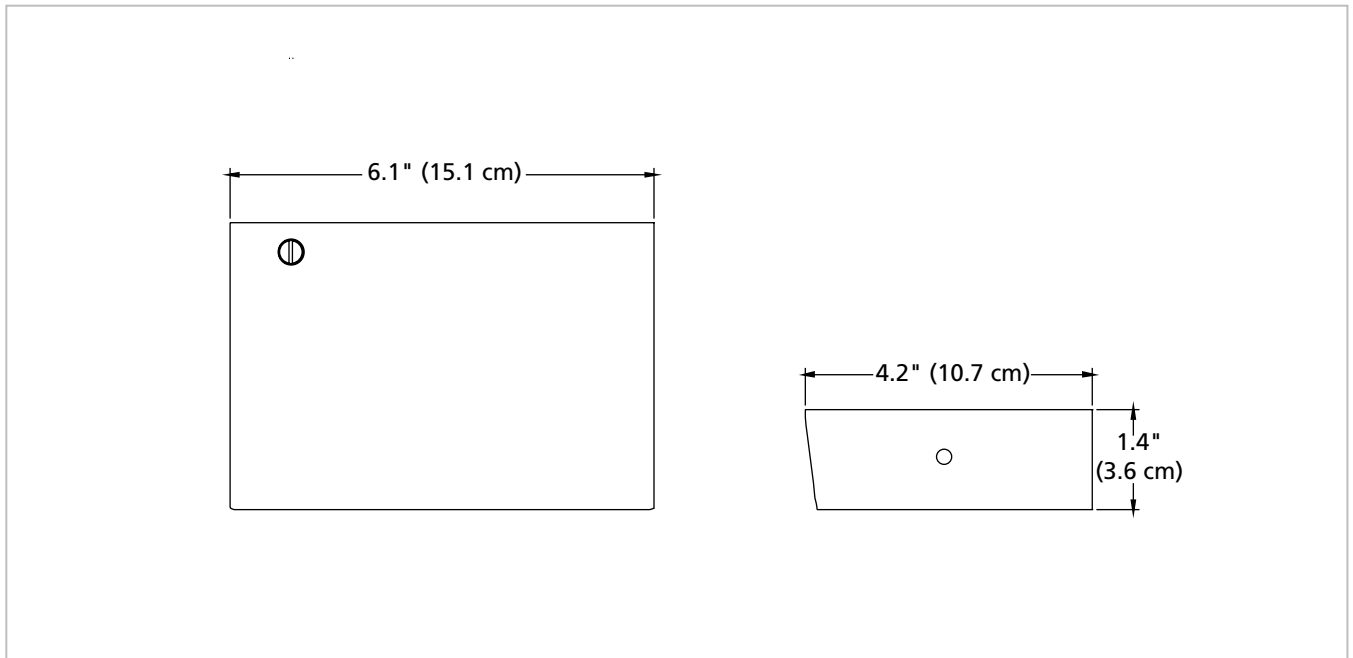


330104-SB



331105-SB

Model	Description
330104-SB	SMC1, Six or eight-lamp, 12 or 24 VDC (multiple installer-selectable flash patterns, fuse protected)
331105-SB	SMC5, Heavy Duty six or eight-lamp, 12 or 24 VDC (slide switch, multiple installer-selectable flash patterns, heavy duty ground, fuse protected, controls two SignalMasters simultaneously), turn signal override feature
Common Replacement Part	
Z140325A-13	SMC5, 15-position female connector for full featured controller
Z8536C1041A	Knob



	SMC5 Specifications Model 331105-SB	SMC1 Specifications Model 330104-SB
Specifications		
Input Voltage	11 VDC to 28 VDC	
Polarity	Negative ground only	
Operating Temp. Range	-30°C to +65°C	
Standby Current	7mA (0.007A)	
+BAT Fuse	25 Amps (installer supplied)	
+Ignition Fuse	2 Amps	
Relay Fuse	1 Amp (installer supplied)	N/A
Output Drive Capability (Total)		
Directional	(16) 27 W lamps on eight channels (2 lightbars in parallel)	(8) 27 W lamps on eight channels
Auxiliary	(4) 27 W lamps (2 per output) (2) 55 W lamps (1 per output)	N/A
Normal Directional Flash Rate	Approx. 30 patterns per minute	
Fast Directional Flash Rate	Approx. 45 patterns per minute	N/A
Physical Dimensions		
Height	1.4 in (3.6 cm)	
Width	6.1 in (15.1 cm)	
Depth	4.2 in (10.7 cm)	
Ship Weight		
	2.5 lbs (1.1 kg)	