

2012 Series Alarms

Back-up Alarm

Features

- Available in 87 dB(A), 97 dB(A) and 102 dB(A) models with wires or stud terminals
- Built-in universal mounting bracket with industry-standard 3.25" centers and self-grounding strap (on "-S" models) eases installation
- Steam-cleanable and pressure washable
- Epoxy encapsulation protects against vibration, as well as debris and moisture ingress
- Three-year warranty



Model	Description
210238-S	87 dB(A), 12-24 VDC, SAE J994 Type D, stud terminals
210238-W	87 dB(A), 12-24 VDC, SAE J994 Type D, wires
210239-S	97 dB(A), 12-24 VDC, SAE J994 Type C, stud terminals
210239-W	97 dB(A), 12-24 VDC, SAE J994 Type C, wires
210240-S	102 dB(A), 12-24 VDC, SAE J994 Type F, stud terminals
210240-W	102 dB(A), 12-24 VDC, SAE J994 Type F, wires

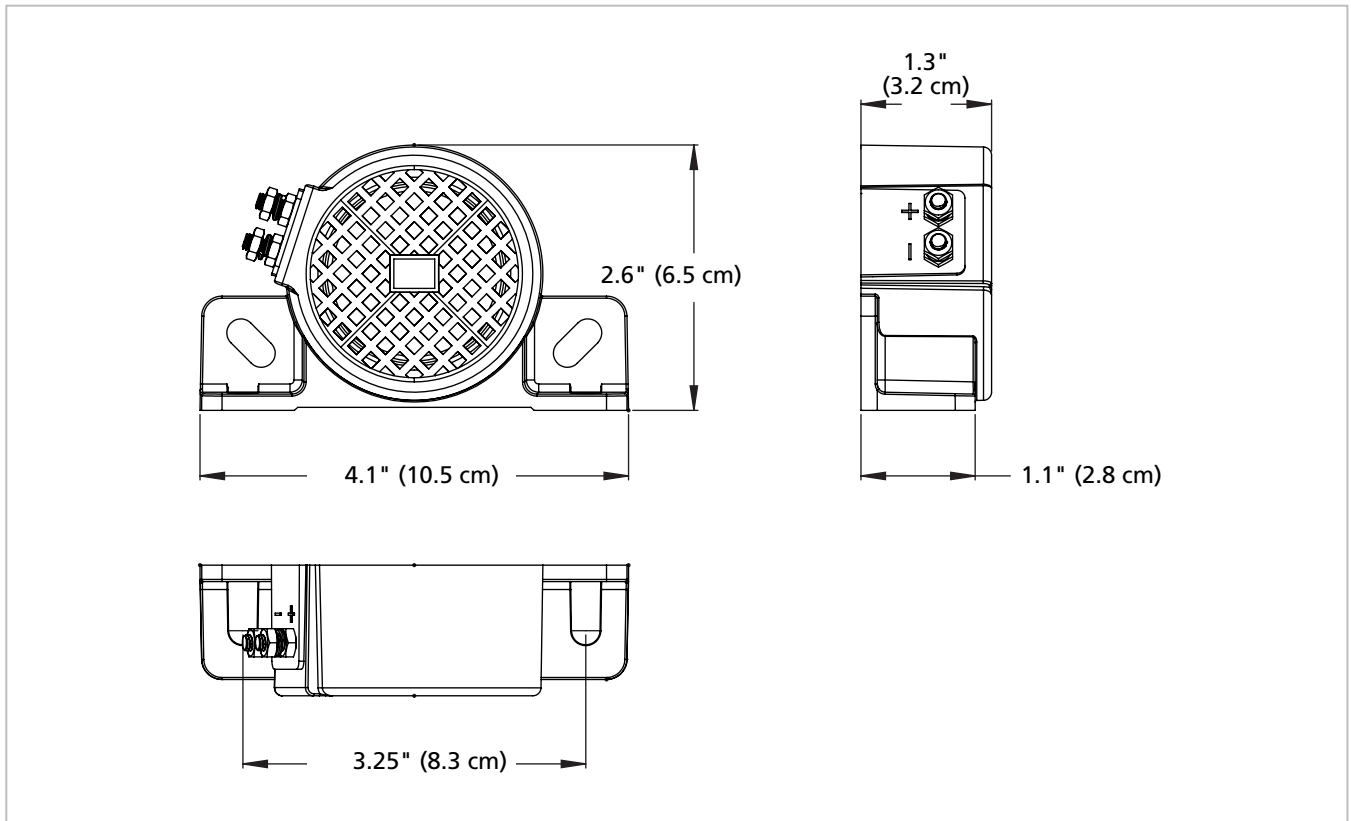
130

Approvals

- SAE J994
- CE
- OSHA
- MSHA

Applications

- Construction
- Material handling
- Tow & Recovery
- Utility



Specifications		
Operating Voltage	12/24 VDC	
Conformance	SAE J994, CE, OSHA and MSHA	
Sound Output	210238-S 210238-W 210239-S 210239-W 210240-S 210240-W	87 dB(A) 87 dB(A) 97 dB(A) 97 dB(A) 102 dB(A) 102 dB(A)
Current Draw	210238-S 210238-W 210239-S 210239-W 210240-S 210240-W	0.3 Amp 0.3 Amp 0.3 Amp 0.3 Amp 0.5 Amp 0.5 Amp
SAE J994 Type	210238-S 210238-W 210239-S 210239-W 210240-S 210240-W	Type D Type D Type C Type C Type F Type F
Dimensions		
Width	1.1 in. (2.8 cm)	
Height	2.6 in. (6.5 cm)	
Length	4.1 in. (10.5 cm)	

Evacuator® | Back-up Alarm

Features

- “Plus” models offer dual-tone function (pulse or constant)
- A wide range of decibel levels and operating voltages are offered for enhanced application flexibility
- Universal mounting bracket included
- Unique Piezo electric design incorporates a tear-free Mylar speaker cone that is impervious to moisture
- Solid-state electronics and a sealed design protect against moisture, contaminants and vibration
- Three-year warranty



210330SSG

(shown with mounting bracket included)

Model	Description
Evacuator Plus, Dual Functions, 12-48 VDC	
210330SSG	87 dB(A), 12-48 VDC, SAE J994 Type D, nickel-plated threaded terminals
210331SSG	97 dB(A), 12-48 VDC, SAE J994 Type C, nickel-plated threaded terminals
210333SSG	107 dB(A), 12-48 VDC, SAE J994 Type B, nickel-plated threaded terminals

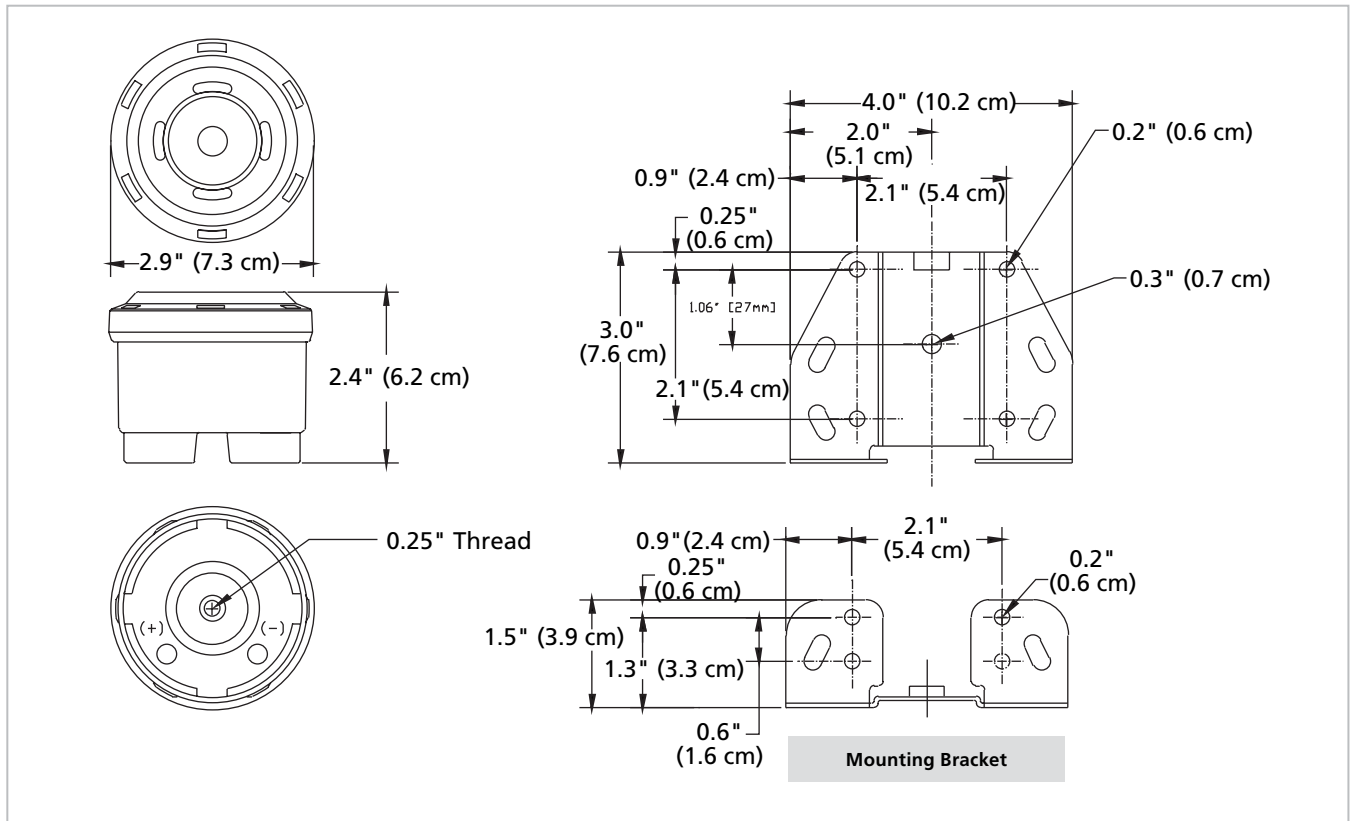
132

Approvals

- SAE J994
- OSHA
- MSHA

Applications

- Construction
- Material handling
- Tow & Recovery
- Utility



	210330SSG	210331SSG	210335SSG
Specifications			
Amp Draw	0.02 Amp @ 12 VDC	0.03 Amp @ 12 VDC	0.17 Amp @ 12 VDC
Voltage	12/48 VDC	12/48 VDC	12/48 VDC
Sound Level	87 dB(A)	97 dB(A)	107 dB(A)
Sound Frequency	2.75 kHz	2.4 kHz	2.7 kHz
Physical Specifications			
Length	2.9 in. (7.4 cm)		
Width	2.9 in. (7.4 cm)		
Height	2.4 in. (6.1 cm)		
Ship Weight			
	0.6 lbs (0.3 kg)		

Speciality Alarms and Switches

Back-up Alarm

Features

Speciality Alarms

- Automatically adjusts to at least 5 dB(A) above ambient noise level (210502SSG is manually adjustable)
- Epoxy-sealed for protection against vibration, dirt and moisture
- Glass-filled nylon housing is steam-cleanable
- Integrated universal mounting bracket
- Maximum current draw between 0.2 Amp and 1.0 Amp
- Meet SAE J994, OSHA, and MSHA requirements
- Three-year warranty

Switches

- For installations where it is not possible to wire a back-up alarm into the vehicle's back-up light circuit
- Installed adjacent to the gear-shift lever or linkage, the switch activates the alarm when the activating shaft is removed

Speciality Alarm Approvals

- SAE J994
- OSHA
- MSHA

Applications

- Construction
- Material handling
- Tow & Recovery
- Utility

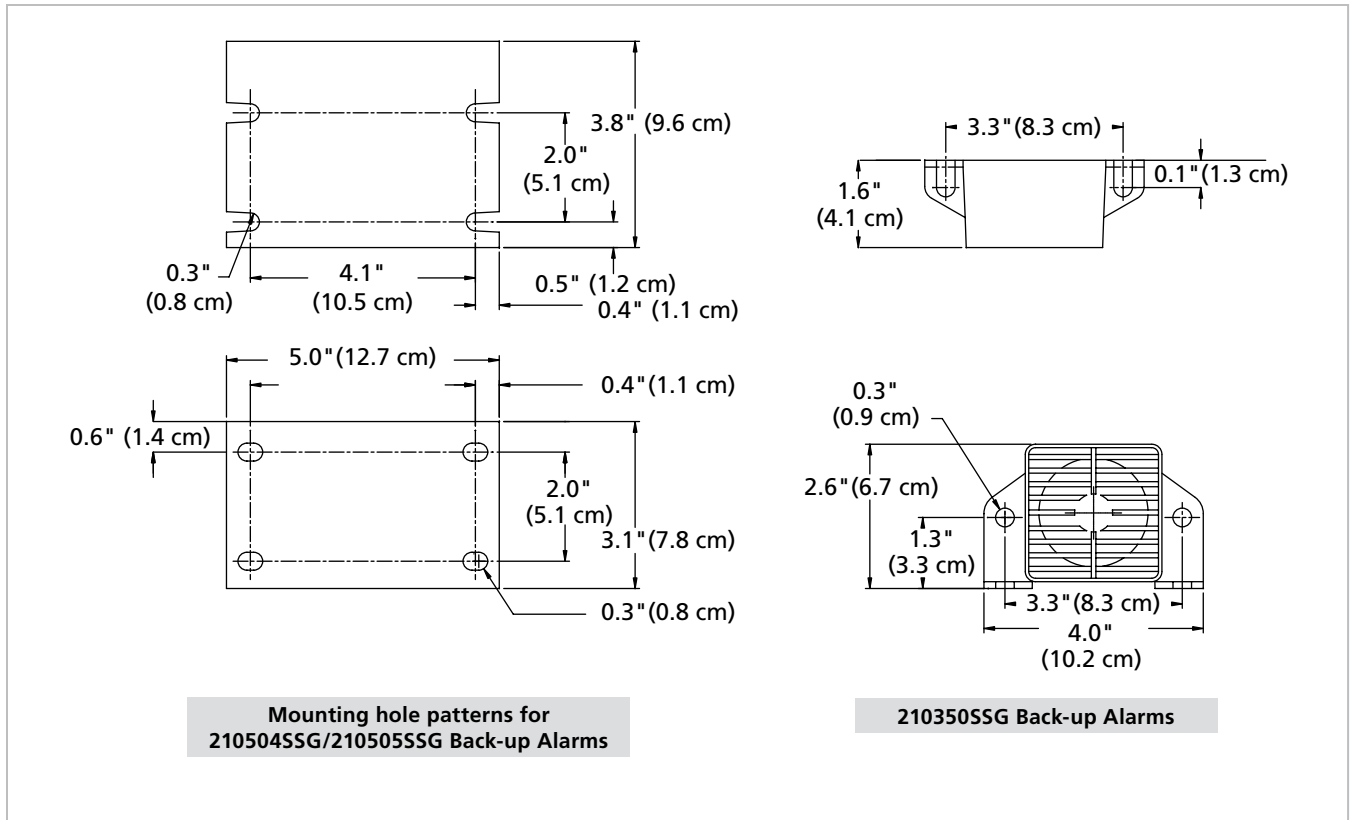


210298



210350SSG

Model	Description
Speciality Alarms	
210350SSG	77-102 dB(A), auto-adjusting, 12-24 VDC, SAE J994 Type E-F, 4.02 in x 2.64 in x 1.60 in
210502SSG	107-112 dB(A), manually adjustable, 12-24 VDC, SAE J994 Type B or A, 5.00 in x 3.06 in x 3.78 in
210504SSG	87-112 dB(A), auto-adjusting, 6-24 VDC, SAE J994 Type D-A, 5.00 in x 3.06 in x 3.78 in
210505SSG	87-107 dB(A), auto-adjusting, 12-48 VDC, SAE J994 Type D-B, 5.00 in x 3.06 in x 3.78 in
Switches	
210298	Multi-directional 360-degree switch, 5 Amps, water-resistant, with adjustable mounting bracket
210299SSG	Unidirectional switch, 5 Amps
200053-95	Replacement mounting bracket for 210298 switch



	210502SSG	210504SSG	210505SSG	210350SSG
Evacuator Plus				
Amp Draw	0.2 max	0.5 max	0.3 max	0.3 max
Voltage	12/24 VDC	6/24 VDC	12/48 VDC	12/24 VDC
Output	107-112 dB(A)	87-112 dB(A)	87-107 dB(A)	77-102 dB(A)
Sound Frequency	1200 Hz	1150 Hz	1150 Hz	1300 Hz
Ship Weight				
	2.0 lbs (0.9 kg)			