

Air Top 2000 STC

Air Heater (Gasoline)



Air Heater Features:

- Provides rapid compartment heat without idling
- Warm work area ideal for driver and storage (tools, cargo, etc.)
- High heat output in a compact design
- Quiet operation
- Reduced emissions = cleaner work environment
- Full diagnostics with PC interface available
- Low fuel consumption
- Proven quality & reliable performance
- Fast Return on Investment

Compartment heating, fuel savings and emissions reduction

The Air Top 2000 STC is the most popular choice in idle reduction technology. Millions are being used in various applications around the world. Perfect for compartment heating, the Air Top 2000 STC gets the job done with 7,000 BTU/h (2 kW) of heat output. This compact unit is low on maintenance, service-friendly and the most efficient air heater on the market. The Air Top 2000 STC can pay for itself within months.

Technical Specifications

Air Top 2000 STC	
Heating Capacity	3,100 – 7,000 BTU/h (0.9 – 2.0 kW)
Fuel	Gasoline
Fuel Consumption	0.03 – 0.06 gal/h (0.12 – 0.24 l/h)
Rated Voltage	12 V
Operating Voltage Range	10.5 – 16 V
Power Consumption	14 – 29 Watts
Air Flow	55 cfm (93 m ³ /h)
Dimensions (L x W x H)	12.25 x 4.78 x 4.85 in (311 x 120 x 121 mm)
Weight	5.73 lbs (2.6 kg)

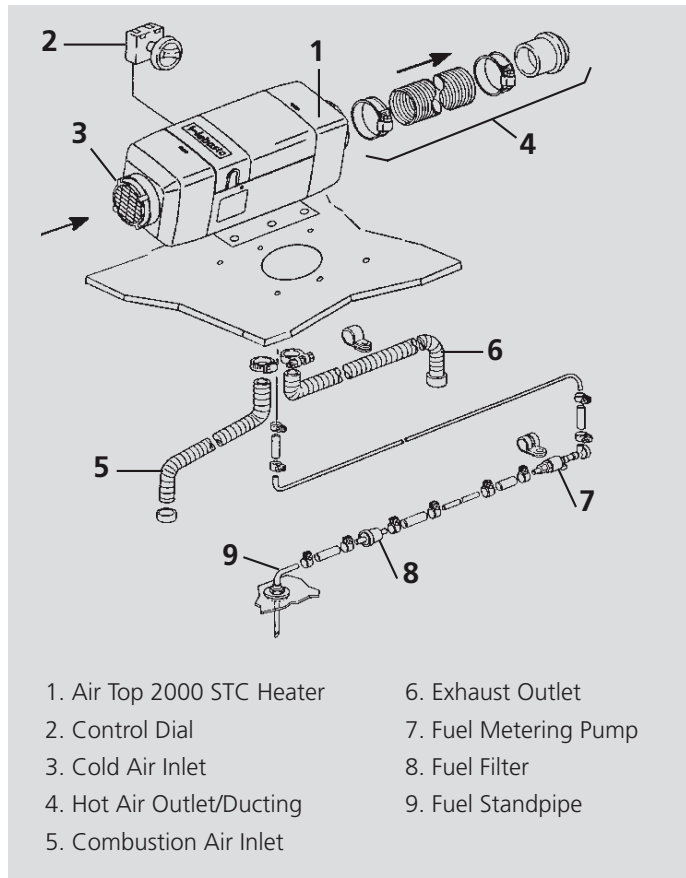
Available Air Top 2000 STC Heater Kits:

Air Top 2000 STC Gasoline Kit with Rheostat (12 V) - P/N: 5012558B

Standard Kit Components:

- Integrated Control Unit
- On/Off Switch with Variable Temperature Control
- Fuel Metering Pump w/Mounting Bracket
- Fuel Line
- Fuel Filter
- Universal Fuel Standpipe
- Heater Mounting Bracket w/Gasket
- Wiring Harness w/Fuse Holder
- Exhaust Tubing
- Combustion Air Tubing
- Air Inlet/Outlet Vent
- Operation/Installation Manual
- 2 Year/2000 Hour Limited Warranty

System Schematic



Optional Accessories:

▪ Ducting Kit

(Gas Kits only):

Part Number 5013413A



**Webasto Thermo & Comfort
North America, Inc.**

15083 North Road
Fenton, Michigan 48430
USA

Toll Free: 800-860-7866
Phone: 810-593-6000

webasto.com